

air prep

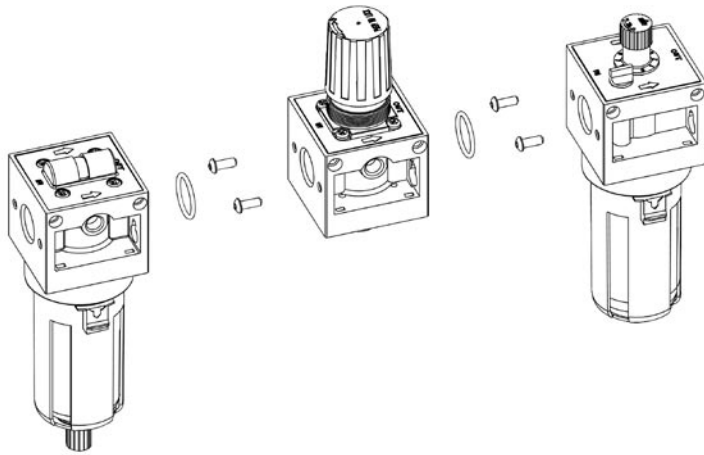
# FlexiBlok® FRL Series



# numatics®

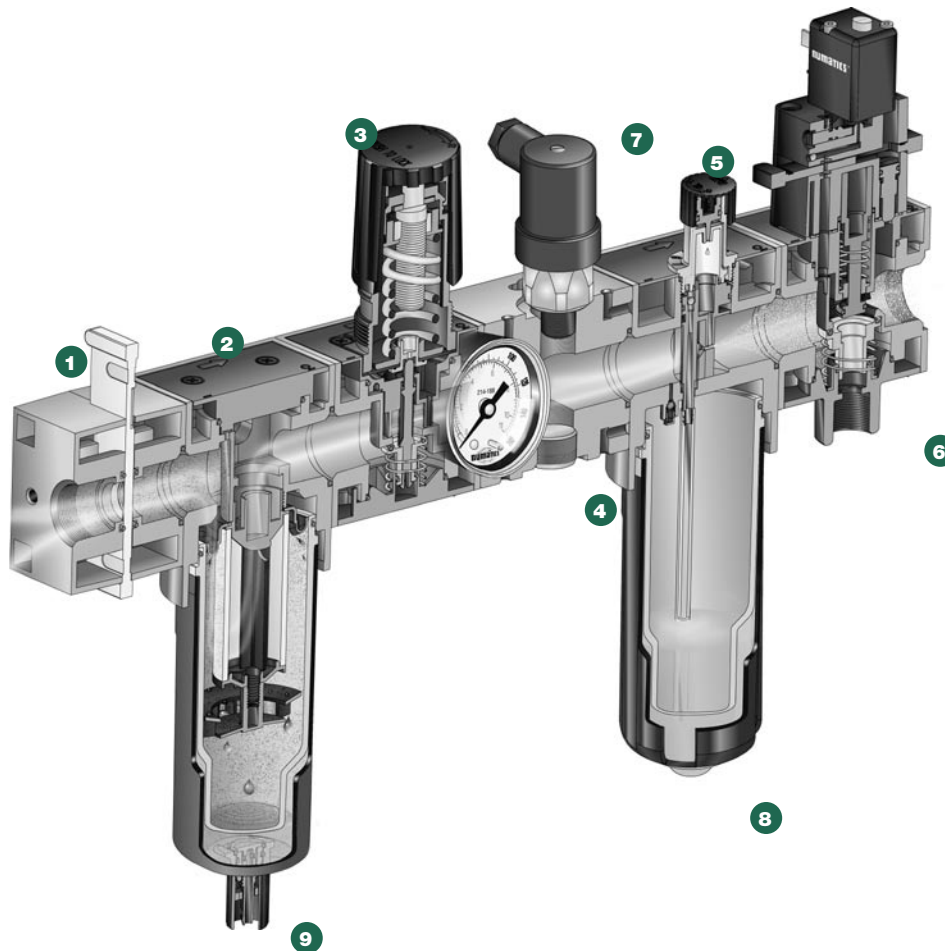
---

|   |       |
|---|-------|
| <b>FLEXIBLOK® FRL Series</b> .....            | 3-36  |
| Features and Benefits .....                   | 3     |
| StockBlok and ModuBlok Combinations .....     | 4-9   |
| Particulate Filters .....                     | 10-11 |
| Coalescing Filters .....                      | 12-13 |
| Regulators .....                              | 14-19 |
| Particulate Filter/Regulator .....            | 20-21 |
| Coalescing Filter/Regulator .....             | 22-23 |
| Lubricators .....                             | 24-25 |
| Solenoid Soft Start Quick Exhaust Valve ..... | 26-27 |
| Quick Exhaust Valves .....                    | 28-31 |
| Shut Off Valve .....                          | 32    |
| Diverter Block .....                          | 32    |
| Diverter Paltes .....                         | 33    |
| Rear-Ported End Plates .....                  | 33    |
| Drain Options .....                           | 34    |
| Replacement and Repair Kits .....             | 35-36 |



The Numatics **FLEXIBLOK®** FRL line leads the industry in ease of assembly. While many competitors rely on special brackets, mounting kits, port connectors, and component connectors for assembly - which are not only costly but are awkward and difficult to use - **FLEXIBLOK®** components use only a single o-ring and two screws to connect together. Integrated mounting holes eliminate the need for mounting brackets. The need for end plates are eliminated, as the in/out ports of all components are tapped so that any unit can be used as a stand alone unit.

By eliminating the need for additional special components, the Numatics **FLEXIBLOK®** line keeps costs down and maintenance and assembly quick and easy.



### 1. Shutoff Valve

- Relieving/Non-Relieving

### 2. Filter

- 5 Micron particulate
- Three Coalescing Grades
- Adsorbing Grade

### 3. Regulator

- Multiple Pressure Ranges
- Relieving/Non-Relieving

### 4. Diverter Block

- Provides Versatility

### 5. Lubricator

- Siphon Tube Design Provides Accurate Oil Metering

### 6. Solenoid Soft Start Quick Exhaust Valve

- Solenoid Quick Exhaust and Air Pilot Versions

### 7. Pressure Switch

- Field Installable Connector or 12 mm Micro Styles

### 8. Bowls

- Polycarbonate, metal, CircleVision

### 9. Drains

- 6 Styles



# StockBlok®

FRLs in standard combinations



**StockBlok®** assemblies utilize one model number for standard configurations, complete with gauges. Each component is factory assembled and tested.

Each of the standard **StockBlok®** combinations is a complete assembly. Bowl, drain, and fill options are available where applicable. Additional options are not available and, if required, components can be ordered as a **ModuBlok™** combination (see page 9).

To order any of the **StockBlok®** models without the Shut-Off Valve, replace the "V" in the part number with an "X" (i.e. M22-03XFCXX).

See individual component pages for specifications and dimensions.

\*All **StockBlok®** model # assemblies on the next few pages are called out as NPT. For BSPP models replace the "-" with a "G". For BSPT models replace "-" with an "R"

## Shut Off/Particulate Filter/Regulator/Lubricator w/ Gauge



### Components

| MODEL #     | SHUT OFF | PARTICULATE |           |            | WEIGHT |      |
|-------------|----------|-------------|-----------|------------|--------|------|
|             |          | FILTER      | REGULATOR | LUBRICATOR | LBS.   | KGS  |
| M14-01VFRLX | VS14-01  | F14B-01     | R14R-01G  | L14L-01    | 2.55   | 1.17 |
| M14-02VFRLX | VS14-02  | F14B-02     | R14R-02G  | L14L-02    | 2.55   | 1.17 |
| M22-02VFRLX | VS22-02  | F22B-02     | R22R-02G  | L22L-02    | 2.38   | 1.08 |
| M22-03VFRLX | VS22-03  | F22B-03     | R22R-03G  | L22L-03    | 2.38   | 1.08 |
| M22-04VFRLX | VS22-04  | F22B-04     | R22R-04G  | L22L-04    | 2.38   | 1.08 |
| M32-04VFRLX | VS32-04  | F32B-04     | R32R-04G  | L32L-04    | 4.78   | 2.17 |
| M32-06VFRLX | VS32-06  | F32B-06     | R32R-06G  | L32L-06    | 4.78   | 2.17 |
| M42-06VFRLX | VS42-06  | F42B-06     | R42R-06G  | L42L-06    | 16.65  | 7.55 |
| M42-08VFRLX | VS42-08  | F42B-08     | R42R-08G  | L42L-08    | 16.65  | 7.55 |

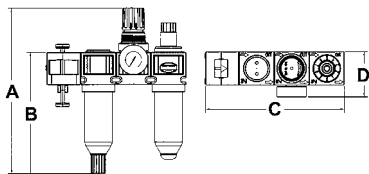
### Options (see page 34 for Drain Options)

- A = Auto Drain (22, 32, 42 Series only)
- B = Flexible Drain
- C = CircleVision™ Sight Bowl
- E = Endplates (42 Series only)
- J = External Pulse Drain

- M = Metal Bowls w/ Sight Glass
- F = Lubricator Quick Fill
- Q = Metal Manual Drain
- R = Manual Lever Drain

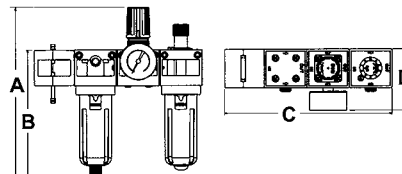
\* To order this **StockBlok®** model without a shutoff valve, replace the "V" in the model number with an "X" (ie. M42-08XFRLX).

### 14 Series



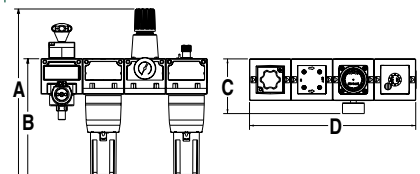
A 7.90 (200) B 5.84 (148) C 6.72 (172) D 3.1 (74)

### 22/32 Series



**22 Series:**  
 A 10.02 (255) B 7.62 (194) C 9.32 (237) D 3.42 (87)  
**32 Series:**  
 A 12.32 (313) B 9.12 (232) C 11.25 (286) D 4.10 (104)

### 42 Series



A 17.4 (442) B 12.6 (320) C 5.3 (135) D 16.0 (406)



### Shut Off/Filter-Regulator/Diverter Block/Lubricator w/ Gauge



#### Components

| MODEL #     | SHUT OFF | FILTER/<br>REGULATOR | DIVERTER<br>BLOCK | LUBRICATOR | WEIGHT |      |
|-------------|----------|----------------------|-------------------|------------|--------|------|
|             |          |                      |                   |            | LBS.   | KGS  |
| M14-01VPDLX | VS14-01  | P14B-01G             | DK14-02           | L14L-01    | 2.50   | 1.13 |
| M14-02VPDLX | VS14-02  | P14B-02G             | DK14-02           | L14L-02    | 2.50   | 1.13 |
| M22-02VPDLX | VS22-02  | P22B-02G             | DK22-03           | L22L-02    | 2.26   | 1.03 |
| M22-03VPDLX | VS22-03  | P22B-03G             | DK22-03           | L22L-03    | 2.26   | 1.03 |
| M22-04VPDLX | VS22-04  | P22B-04G             | DK22-03           | L22L-04    | 2.26   | 1.03 |
| M32-04VPDLX | VS32-04  | P32B-04G             | DK32-04           | L32L-04    | 4.86   | 2.21 |
| M32-06VPDLX | VS32-06  | P32B-06G             | DK32-04           | L32L-06    | 4.86   | 2.21 |
| M42-06VPDLX | VS42-06  | P42B-06G             | DK42-06           | L42L-06    | 15.85  | 7.19 |
| M42-08VPDLX | VS42-08  | P42B-08G             | DK42-08           | L42L-08    | 15.85  | 7.19 |

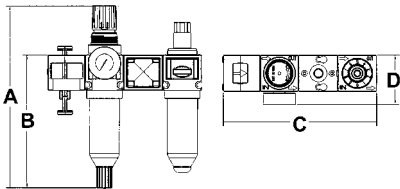
#### Options (see page 34 for Drain Options)

**A** = Auto Drain (22,32,42 Series only)  
**B** = Flexible Drain  
**C** = CircleVision™ Sight Bowl  
**E** = Endplates (42 Series only)  
**J** = External Pulse Drain

**M** = Metal Bowls w/ Sight Glass  
**F** = Lubricator Quick Fill  
**Q** = Metal Manual Drain  
**R** = Manual Lever Drain

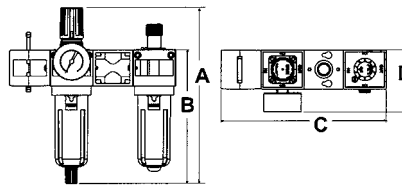
\* To order this **StockBlok®** model without a shutoff valve, replace the "V" in the model number with an "X" (ie. M42-08VPDLX).

#### 14 Series



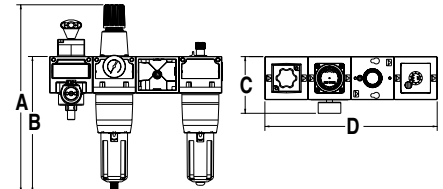
A 7.90 (200) B 5.84 (148) C 6.72 (172) D 3.1 (79)

#### 22/32 Series



**22 Series:**  
A 9.93 (252) B 7.62 (194) C 9.11 (231) D 3.41 (87)  
**32 Series:**  
A 12.32 (313) B 9.12 (232) C 11.25 (286) D 4.10 (104)

#### 42 Series



A 17.4 (442) B 12.6 (320) C 5.3 (135) D 16.0 (406)

### Shut Off/Particulate Filter/Coalescing Filter/Regulator w/ Gauge



#### Components

| MODEL #     | SHUT OFF | PARTICULATE<br>FILTER | COALESCING<br>FILTER | REGULATOR | WEIGHT |      |
|-------------|----------|-----------------------|----------------------|-----------|--------|------|
|             |          |                       |                      |           | LBS.   | KGS  |
| M14-01VFFRX | VS14-01  | F14B-01               | F14D-01              | R14R-01G  | 2.60   | 1.20 |
| M14-02VFFRX | VS14-02  | F14B-02               | F14D-02              | R14R-02G  | 2.60   | 1.20 |
| M22-02VFFRX | VS22-02  | F22B-02               | F22D-02              | R22R-02G  | 2.38   | 1.08 |
| M22-03VFFRX | VS22-03  | F22B-03               | F22D-03              | R22R-03G  | 2.38   | 1.08 |
| M22-04VFFRX | VS22-04  | F22B-04               | F22D-04              | R22R-04G  | 2.38   | 1.08 |
| M32-04VFFRX | VS32-04  | F32B-04               | F32D-04              | R32R-04G  | 4.90   | 2.23 |
| M32-06VFFRX | VS32-06  | F32B-06               | F32D-06              | R32R-06G  | 4.90   | 2.23 |
| M42-06VFFRX | VS42-06  | F42B-06               | F42D-06              | R42R-06G  | 16.65  | 7.55 |
| M42-08VFFRX | VS42-08  | F42B-08               | F42D-08              | R42R-08G  | 16.65  | 7.55 |

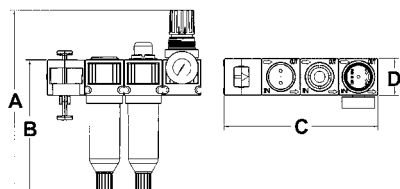
#### Options (see page 34 for Drain Options)

**A** = Auto Drain (22,32,42 Series only)  
**B** = Flexible Drain  
**C** = CircleVision™ Sight Bowl  
**E** = Endplates (42 Series only)

**J** = External Pulse Drain  
**M** = Metal Bowls w/ Sight Glass  
**Q** = Metal Manual Drain  
**R** = Manual Lever Drain

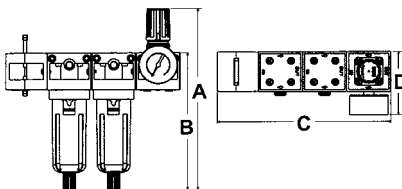
\* To order this **StockBlok®** model without a shutoff valve, replace the "V" in the model number with an "X" (ie. M42-08XFFRX).

#### 14 Series



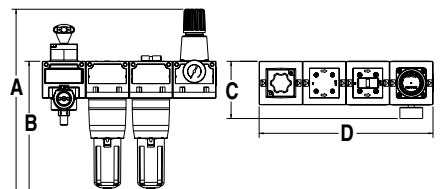
A 7.90 (200) B 5.84 (148) C 6.72 (172) D 3.1 (79)

#### 22/32 Series



**22 Series:**  
A 10.02 (255) B 7.62 (194) C 9.30 (237) D 3.42 (87)  
**32 Series:**  
A 12.32 (313) B 9.12 (232) C 11.25 (286) D 4.10 (104)

#### 42 Series



A 17.4 (442) B 12.6 (320) C 5.3 (135) D 16.0 (406)



## FLEXIBLOK® FRL Series

### Shut Off/Coalescer-Regulator/Lubricator w/ Gauge

#### Components



| MODEL #     | SHUT OFF | COALESCER/<br>REGULATOR | LUBRICATOR | WEIGHT<br>LBS. | KGS  |
|-------------|----------|-------------------------|------------|----------------|------|
| M14-01VCLXX | VS14-01  | C14D-01G                | L14L-01    | 2.10           | 0.94 |
| M14-02VCLXX | VS14-02  | C14D-02G                | L14L-02    | 2.10           | 0.94 |
| M22-02VCLXX | VS22-02  | C22D-02G                | L22L-02    | 1.96           | 0.89 |
| M22-03VCLXX | VS22-03  | C22D-03G                | L22L-03    | 1.96           | 0.89 |
| M22-04VCLXX | VS22-04  | C22D-04G                | L22L-04    | 1.96           | 0.89 |
| M32-04VCLXX | VS32-04  | C32D-04G                | L32L-04    | 3.93           | 1.79 |
| M32-06VCLXX | VS32-06  | C32D-06G                | L32L-06    | 3.93           | 1.79 |
| M42-06VCLXX | VS42-06  | C42D-06G                | L42L-06    | 13.70          | 6.21 |
| M42-08VCLXX | VS42-08  | C42D-08G                | L42L-08    | 13.70          | 6.21 |

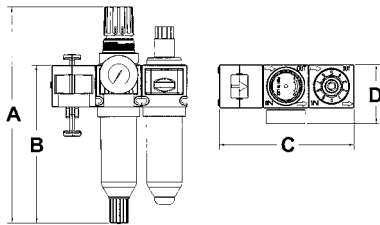
#### Options (see page 34 for Drain Options)

A = Auto Drain (22, 32, 42 Series only)  
 B = Flexible Drain  
 C = CircleVision™ Sight Bowl  
 D = 3 Micron Internal Prefilter  
 E = Endplates (42 Series only)

J = External Pulse Drain  
 M = Metal Bowls w/ Sight Glass  
 F = Lubricator Quick Fill  
 Q = Metal Manual Drain  
 R = Manual Lever Drain

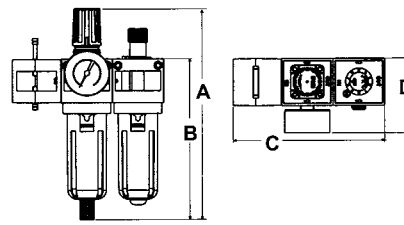
\* To order this **StockBlok®** model without a shutoff valve, replace the "V" in the model number with an "X" (ie. M42-08XFRLX).

#### 14 Series



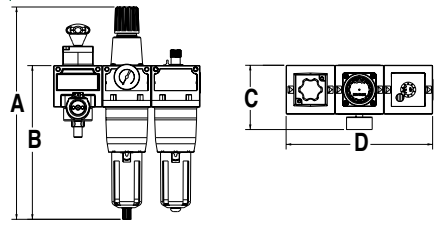
A 7.90 (200) B 5.84 (148) C 5.04 (129) D 3.1 (79)

#### 22/32 Series



**22 Series:**  
 A 7.93 (252) B 7.62 (194) C 6.95 (177) D 3.42 (87)  
**32 Series:**  
 A 12.32 (313) B 9.12 (232) C 8.25 (210) D 4.10 (103)

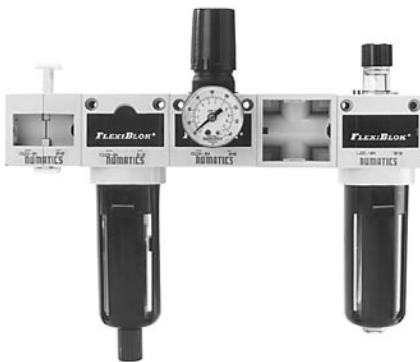
#### 42 Series



A 17.4 (442) B 12.6 (320) C 5.3 (135) D 12.0 (305)

### Shut Off/Particulate Filter/Regulator/Diverter Block/Lubricator w/ Gauge

#### Components



| MODEL #     | SHUT OFF | PARTICULATE<br>FILTER | REGULATOR | BLOCK   | DIVERTER<br>LUBRICATOR | WEIGHT<br>LBS. | KGS  |
|-------------|----------|-----------------------|-----------|---------|------------------------|----------------|------|
| M14-01VFRDL | VS14-01  | F14B-01               | R14R-01G  | DK14-02 | L14L-01                | 3.00           | 1.37 |
| M14-02VFRDL | VS14-02  | F14B-02               | R14R-02G  | DK14-02 | L14L-02                | 3.00           | 1.37 |
| M22-02VFRDL | VS22-02  | F22B-02               | R22R-02G  | DK22-03 | L22L-02                | 2.69           | 1.22 |
| M22-03VFRDL | VS22-03  | F22B-03               | R22R-03G  | DK22-03 | L22L-03                | 2.69           | 1.22 |
| M22-04VFRDL | VS22-04  | F22B-04               | R22R-04G  | DK22-03 | L22L-04                | 2.69           | 1.22 |
| M32-04VFRDL | VS32-04  | F32B-04               | R32R-04G  | DK32-04 | L32L-04                | 5.72           | 2.60 |
| M32-06VFRDL | VS32-06  | F32B-06               | R32R-06G  | DK32-04 | L32L-06                | 5.72           | 2.60 |
| M42-06VFRDL | VS42-06  | F42B-06               | R42R-06G  | DK42-06 | L42L-06                | 18.80          | 8.53 |
| M42-08VFRDL | VS42-08  | F42B-08               | R42R-08G  | DK42-08 | L42L-08                | 18.80          | 8.53 |

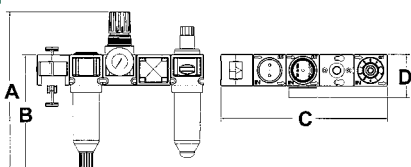
#### Options (see page 34 for Drain Options)

A = Auto Drain (22, 32, 42 Series only)  
 B = Flexible Drain  
 C = CircleVision™ Sight Bowl  
 E = Endplates (42 Series only)  
 J = External Pulse Drain

M = Metal Bowls w/ Sight Glass  
 F = Lubricator Quick Fill  
 Q = Metal Manual Drain  
 R = Manual Lever Drain

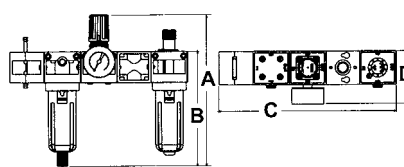
\* To order this **StockBlok®** model without a shutoff valve, replace the "V" in the model number with an "X" (ie. M42-08XFRLX).

#### 14 Series



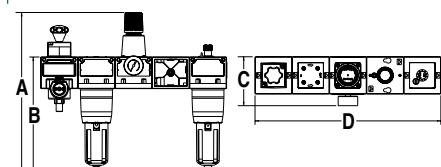
A 7.90 (200) B 5.84 (148) C 8.4 (215) D 3.1 (79)

#### 22/32 Series



**22 Series**  
 A 10.02 (255) B 7.62 (193) C 11.50 (292) D 3.42 (87)  
**32 Series**  
 A 12.32 (313) B 9.12 (232) C 14.25 (362) D 4.10 (103)

#### 42 Series



A 17.4 (442) B 12.6 (320) C 5.3 (135) D 20.0 (508)



### Shut Off/Particulate Filter/Diverter Block/Coalescer-Regulator w/ Gauge



#### Components

| MODEL #     | SHUT OFF | PARTICULATE FILTER | DIVERTER BLOCK | COALESCER/REGULATOR | WEIGHT |      |
|-------------|----------|--------------------|----------------|---------------------|--------|------|
|             |          |                    |                |                     | LBS.   | KGS  |
| M14-01VFDCX | VS14-01  | F14B-01            | DK14-02        | C14D-01G            | 2.55   | 1.15 |
| M14-02VFDCX | VS14-02  | F14B-02            | DK14-02        | C14D-02G            | 2.55   | 1.15 |
| M22-02VFDCX | VS22-02  | F22B-02            | DK22-03        | C22D-02G            | 2.26   | 1.03 |
| M22-03VFDCX | VS22-03  | F22B-03            | DK22-03        | C22D-03G            | 2.26   | 1.03 |
| M22-04VFDCX | VS22-04  | F22B-04            | DK22-03        | C22D-04G            | 2.26   | 1.03 |
| M32-04VFDCX | VS32-04  | F32B-04            | DK32-04        | C32D-04G            | 4.87   | 2.21 |
| M32-06VFDCX | VS32-06  | F32B-06            | DK32-04        | C32D-06G            | 4.87   | 2.21 |
| M42-06VFDCX | VS42-06  | F42B-06            | DK42-06        | C42D-06G            | 15.85  | 7.19 |
| M42-08VFDCX | VS42-08  | F42B-08            | DK42-08        | C42D-08G            | 15.85  | 7.19 |

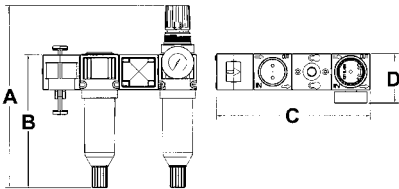
#### Options (see page 34 for Drain Options)

A = Auto Drain (22, 32, 42 Series only)  
 B = Flexible Drain  
 C = CircleVision™ Sight Bowl  
 E = Endplates (42 Series only)  
 F = Lubricator Quick Fill (42 Series only)

J = External Pulse Drain  
 M = Metal Bowls w/ Sight Glass  
 Q = Metal Manual Drain  
 R = Manual Lever Drain

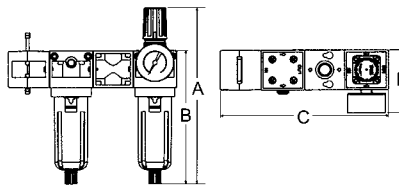
\* To order this **StockBlok®** model without a shutoff valve, replace the "V" in the model number with an "X" (ie. M42-08XFDCX).

#### 14 Series



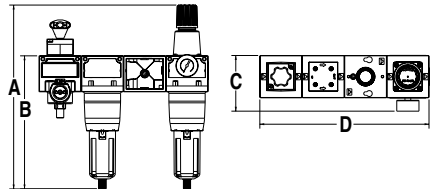
A 7.90 (200) B 5.84 (148) C 6.72 (172) D 3.1 (79)

#### 22/32 Series



**22 Series:**  
 A 9.93 (252) B 7.61 (193) C 9.11 (231) D 3.42 (87)  
**32 Series:**  
 A 12.32 (313) B 9.12 (232) C 11.25 (286) D 4.10 (104)

#### 42 Series



A 17.4 (442) B 12.6 (320) C 5.3 (135) D 16.0 (406)

### Shut Off/Filter-Regulator/Lubricator w/ Gauge



#### Components

| MODEL #     | SHUT OFF | PARTICULATE/REGULATOR | LUBRICATOR | WEIGHT |      |
|-------------|----------|-----------------------|------------|--------|------|
|             |          |                       |            | LBS.   | KGS  |
| M14-01VPLXX | VS14-01  | P14B-01G              | L14L-01    | 2.05   | 0.93 |
| M14-02VPLXX | VS14-02  | P14B-02G              | L14L-02    | 2.05   | 0.93 |
| M22-02VPLXX | VS22-02  | P22B-02G              | L22L-02    | 1.95   | 0.89 |
| M22-03VPLXX | VS22-03  | P22B-03G              | L22L-03    | 1.95   | 0.89 |
| M22-04VPLXX | VS22-04  | P22B-04G              | L22L-04    | 1.95   | 0.89 |
| M32-04VPLXX | VS32-04  | P32B-04G              | L32L-04    | 3.92   | 1.78 |
| M32-06VPLXX | VS32-06  | P32B-06G              | L32L-06    | 3.92   | 1.78 |
| M42-06VPLXX | VS42-06  | P42B-06G              | L42L-06    | 13.70  | 6.21 |
| M42-08VPLXX | VS42-08  | P42B-08G              | L42L-08    | 13.70  | 6.21 |

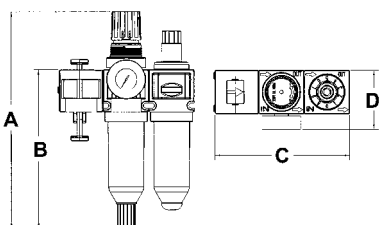
#### Options (see page 34 for Drain Options)

A = Auto Drain (22, 32, 42 Series only)  
 B = Flexible Drain  
 C = CircleVision™ Sight Bowl  
 E = Endplates (42 Series only)  
 J = External Pulse Drain

M = Metal Bowls w/ Sight Glass  
 F = Lubricator Quick Fill  
 Q = Metal Manual Drain  
 R = Manual Lever Drain

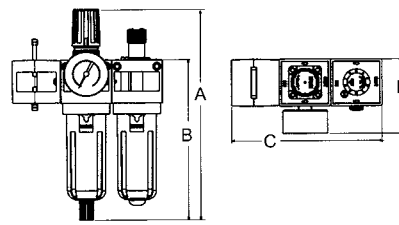
\* To order this **StockBlok®** model without a shutoff valve, replace the "V" in the model number with an "X" (ie. M42-08XPLXX).

#### 14 Series



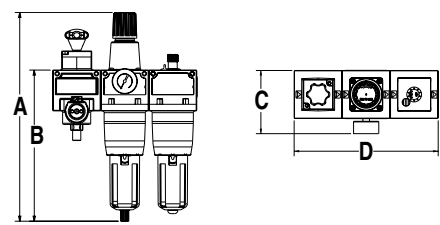
A 7.90 (200) B 5.84 (148) C 5.04 (129) D 3.1 (79)

#### 22/32 Series



**22 Series:**  
 A 9.93 (252) B 7.62 (193) C 6.95 (177) D 3.42 (87)  
**32 Series:**  
 A 12.32 (313) B 9.12 (232) C 8.25 (210) D 4.10 (104)

#### 42 Series



A 17.4 (442) B 12.6 (320) C 5.3 (135) D 12.0 (305)



## FLEXIBLOK® FRL Series

### Shut Off/Particulate Filter/Diverter Block/Regulator/Lubricator w/ Gauge



#### Components

| MODEL #     | SHUT OFF | PARTICULATE FILTER | DIVERTER BLOCK | REGULATOR | LUBRICATOR | WEIGHT |      |
|-------------|----------|--------------------|----------------|-----------|------------|--------|------|
|             |          |                    |                |           |            | LBS.   | KGS  |
| M14-01VFDRL | VS14-01  | F14B-01            | DK14-02        | R14R-01G  | L14L-01    | 3.00   | 1.37 |
| M14-02VFDRL | VS14-02  | F14B-02            | DK14-02        | R14R-02G  | L14L-02    | 3.00   | 1.37 |
| M22-02VFDRL | VS22-02  | F22B-02            | DK22-03        | R22R-02G  | L22L-02    | 2.69   | 1.22 |
| M22-03VFDRL | VS22-03  | F22B-03            | DK22-03        | R22R-03G  | L22L-03    | 2.69   | 1.22 |
| M22-04VFDRL | VS22-04  | F22B-04            | DK22-03        | R22R-04G  | L22L-04    | 2.69   | 1.22 |
| M32-04VFDRL | VS32-04  | F32B-04            | DK32-04        | R32R-04G  | L32L-04    | 5.72   | 2.60 |
| M32-06VFDRL | VS32-06  | F32B-06            | DK32-04        | R32R-06G  | L32L-06    | 5.72   | 2.60 |
| M42-06VFDRL | VS42-06  | F42B-06            | DK42-06        | R42R-06G  | L42L-06    | 18.80  | 8.53 |
| M42-08VFDRL | VS42-08  | F42B-08            | DK42-08        | R42R-08G  | L42L-08    | 18.80  | 8.53 |

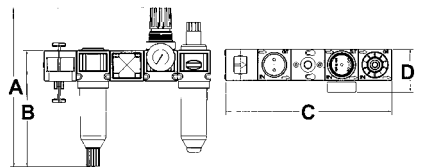
#### Options (see page 34 for Drain Options)

- A = Auto Drain (22, 32, 42 Series only)
- B = Flexible Drain
- C = CircleVision™ Sight Bowl
- E = Endplates (42 Series only)
- J = External Pulse Drain

- M = Metal Bowls w/ Sight Glass
- F = Lubricator Quick Fill
- Q = Metal Manual Drain
- R = Manual Lever Drain

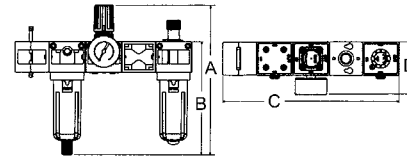
\* To order this **StockBlok®** model without a shutoff valve, replace the "V" in the model number with an "X" (ie. M42-08XFDR).  
 (ie. M42-08XFDR).

#### 14 Series



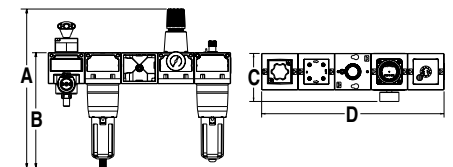
A 7.90 (200) B 5.84 (148) C 8.4 (215) D 3.1 (79)

#### 22/32 Series



**22 Series:**  
 A 10.02 (255) B 7.62 (194) C 11.50 (292) D 3.42 (87)  
**32 Series:**  
 A 12.32 (313) B 9.12 (232) C 14.25 (362) D 4.10 (104)

#### 42 Series



A 17.4 (442) B 12.6 (320) C 5.3 (135) D 20.0 (508)

### Shut Off/Particulate Filter/Coalescer-Regulator w/ Gauge



#### Components

| MODEL #     | SHUT OFF | PARTICULATE FILTER | COALESCER/REGULATOR | WEIGHT |      |
|-------------|----------|--------------------|---------------------|--------|------|
|             |          |                    |                     | LBS.   | KGS  |
| M14-01VFCXX | VS14-01  | F14B-01            | C14D-01G            | 2.10   | 0.95 |
| M14-02VFCXX | VS14-02  | F14B-02            | C14D-02G            | 2.10   | 0.95 |
| M22-02VFCXX | VS22-02  | F22B-02            | C22D-02G            | 1.95   | 0.89 |
| M22-03VFCXX | VS22-03  | F22B-03            | C22D-03G            | 1.95   | 0.89 |
| M22-04VFCXX | VS22-04  | F22B-04            | C22D-04G            | 1.95   | 0.89 |
| M32-04VFCXX | VS32-04  | F32B-04            | C32D-04G            | 3.93   | 1.79 |
| M32-06VFCXX | VS32-06  | F32B-06            | C32D-06G            | 3.93   | 1.79 |
| M42-06VFCXX | VS42-06  | F42B-06            | C42D-06G            | 13.70  | 6.21 |
| M42-08VFCXX | VS42-08  | F42B-08            | C42D-08G            | 13.70  | 6.21 |

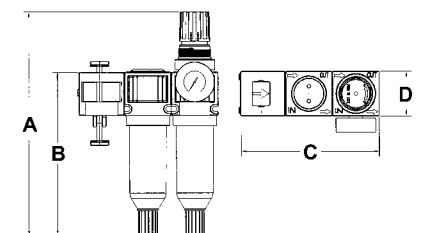
#### Options (see page 34 for Drain Options)

- A = Auto Drain (22,32,42 Series only)
- B = Flexible Drain
- C = CircleVision™ Sight Bowl
- E = Endplates (42 Series only)
- J = External Pulse Drain

- M = Metal Bowls w/ Sight Glass
- Q = Metal Manual Drain
- R = Manual Lever Drain

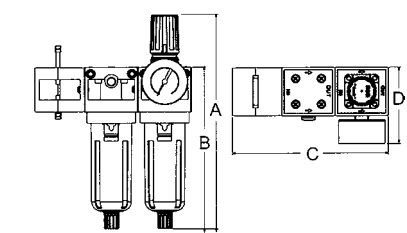
\* To order this **StockBlok®** model without a shutoff valve, replace the "V" in the model number with an "X" (ie. M42-08XFCXX).

#### 14 Series



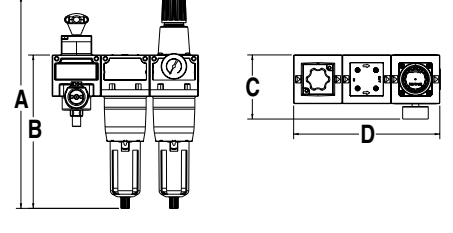
A 7.90 (200) B 5.84 (148) C 5.04 (129) D 3.1 (79)

#### 22/32 Series



**22 Series**  
 A 9.93 (252) B 7.62 (193) C 6.95 (177) D 3.42 (87)  
**32 Series**  
 A 12.32 (313) B 9.12 (232) C 8.25 (210) D 4.10 (104)

#### 42 Series



A 17.4 (442) B 12.6 (320) C 5.3 (135) D 12.0 (305)





# MODUBLOK™

Combination models



### About MODUBLOK™ Assemblies

The **FLEXIBLOK**® modular system is designed to connect individual components into a complete assembly. Sometimes it is necessary to order an assembly using additional or non-standard components or combinations. The **MODUBLOK**™ system makes it easy to order non-standard combinations.

As with all other components and combinations, all modular assemblies come factory tested and approved and assembled complete. For more information on flow, dimensions, options, and accessories, see individual component pages.

Because of the many possible combinations when utilizing modular systems, it is recommended that complex stations include a schematic drawing. When ordering, specify all components at each station, based on the example to the left.

### How to label diverter blocks

When using a diverter block, indicate all units at that station before continuing. If additional units are mounted above the diverter block, use the letter 'T' (for 'top') as well as a letter sequence (TA, TB, TC, etc.) starting from the diverter block, and continuing out. If units are placed below the diverter block, begin the two letter alphabetic sequence with the letter 'B' (for bottom) as well as a letter sequence (BA, BB, BC, etc.) starting with the diverter block and continuing outward. Continue in this pattern until all units are placed correctly.

### Reducing Bushings

Reducing bushings may be required to connect some components (i.e. pressure switches, etc).

| SERIES | SIZE   |
|--------|--|
| 22     | 3/8 to 1/4 or 3/8 to 1/8                                 |
| 32     | 1/2 to 1/4 or 1/2 to 1/8                                 |
| 42     | Not necessary as diverter block has 1/4 indicator ports. |

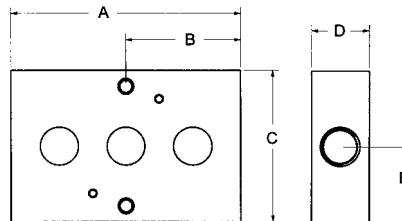
### MOD22-08

| STATION POSITION | DESCRIPTION                             | MODEL NUMBER |
|------------------|---|--------------|
| 1                | Shut-Off Valve                          | VS22-03      |
| 2                | Particulate Filter                      | F22B-03      |
| 3                | Coalescer w/ metal bowl and pulse drain | F22D-03JM    |
| 4                | Diverter Block                          | DK22-03      |
| 4T               | Regulator                               | R22R-03      |
| 4B               | Pressure Switch                         | PS180CAN02   |
| 5                | Regulator w/ gauge                      | R22R-03G     |
| 6                | Lubricator                              | L22L-03      |

#### NEED MORE PARTS AND INFORMATION?

- See page 34 for more information on available drain options.
- See page 35 for information on ordering replacement parts.

## L1 AND L2 Series Air Prep to Valve Adapter



### Application

The Numatics L1 and L2 Series Valve Adapters, when used with a coalescing regulator ('piggyback') equipped with a pleated prefilter coalescing element and the specified valve, provides a low-cost, complete control package. This design eliminates fittings and potential air leaks - thus reducing cost, space, and installation time.

### Dimensions

| Model # | A           | B            | C         | D           | E           |
|---------|-------------|--------------|-----------|-------------|-------------|
| L1A22   | 2.5<br>(64) | 1.25<br>(32) | 2<br>(51) | 1<br>(25)   | .75<br>(19) |
| L2A22   | 3<br>(76)   | 1.5<br>(38)  | 2<br>(51) | 1<br>(52)   | .75<br>(19) |
| L1A32   | 3<br>(76)   | 1.5<br>(38)  | 3<br>(76) | 1.5<br>(38) | .75<br>(19) |
| L2A32   | 3<br>(76)   | 1.5<br>(38)  | 3<br>(76) | 1.5<br>(38) | .75<br>(19) |

### Features

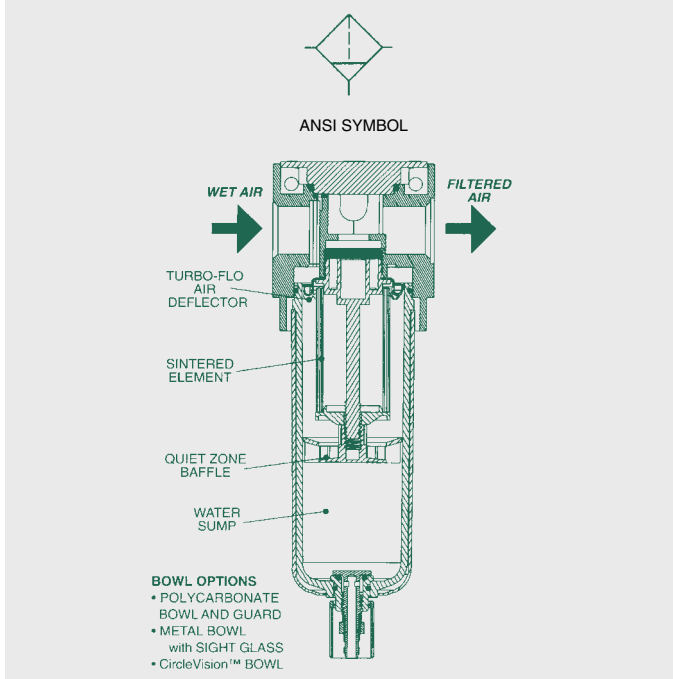
- Modular adaptable to 22 or 32 Series **FLEXIBLOK**® products.
- Easy installation and service.

### How to Order

| MODEL NUMBER | DESCRIPTION   |
|--------------|---|
| L1A22        | L1 Series valve adapter for use with 22 Series air preparation products |
| L2A22        | L2 Series valve adapter for use with 22 Series air preparation products |
| L1A32        | L1 Series valve adapter for use with 32 Series air preparation products |
| L2A32        | L2 Series valve adapter for use with 32 Series air preparation products |



## FLEXIBLOK® FRL Series



### Particulate Filter

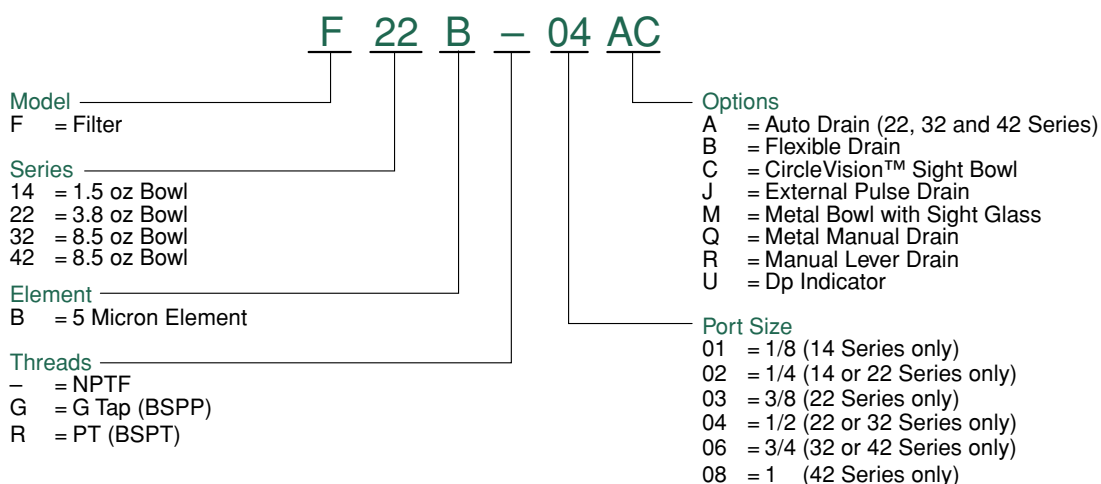
F14B, F22B, F32B, F42B Series

- Four convenient sizes
- 5 micron sintered elements standard
- Can be installed as modular or individual unit
- Includes screws and o-rings for modular connection
- Manual or automatic drain
- Polycarbonate bowl standard
- Optional metal bowl with sight glass
- Optional **CircleVision™** sight bowl
- Bowl seal held captive (22, 32 and 42 Series)

### Specifications

| BOWL                     | POLYCARBONATE BOWL | CIRCLEVISION™ BOWL | METAL BOWL |
|--------------------------|--------------------|--------------------|------------|
| Temperature Range (°F)   | 40-120             | 40-120             | 40-120     |
| Temperature Range (°C)   | 4-50               | 4-50               | 4-50       |
| Max. Pressure (PSIG)     | 150                | 250                | 200        |
| Max. Pressure (BAR)      | 10                 | 17                 | 14         |
| 14 Series (Weight, lbs.) | .60                | .80                | .65        |
| 14 Series (Weight, kg)   | .28                | .36                | .30        |
| 22 Series (Weight, lbs.) | .65                | .86                | 1.25       |
| 22 Series (Weight, kg)   | .30                | .39                | .57        |
| 32 Series (Weight, lbs.) | 1.3                | 1.7                | 2.5        |
| 32 Series (Weight, kg)   | .59                | .77                | 1.14       |
| 42 Series (Weight, lbs.) | 3.70               | 4.15               | 4.80       |
| 42 Series (Weight, kg)   | 1.68               | 1.88               | 2.18       |

### How to Order

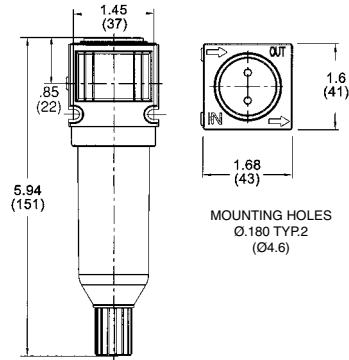


#### NEED MORE PARTS AND INFORMATION?

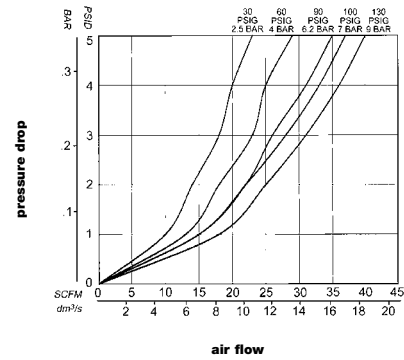
- See page 34 for more information on available drain options.
- See page 35 for information on ordering replacement parts.



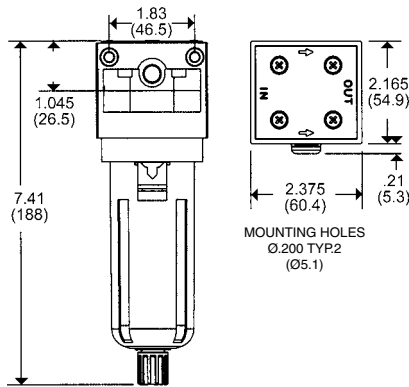
### 14 Series Particulate



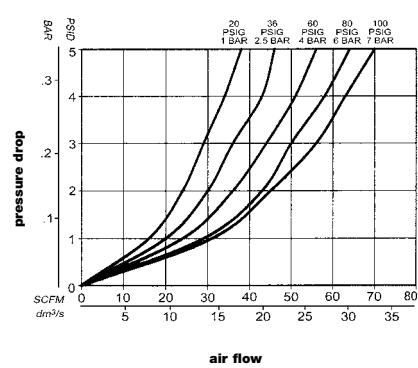
F14B-02 (5 micron particulate)



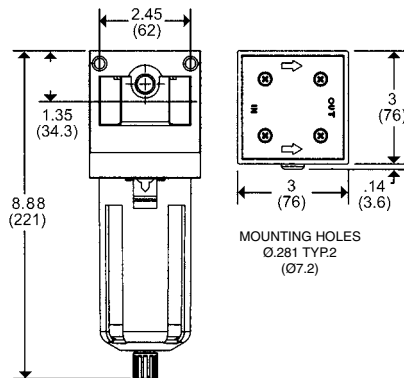
### 22 Series Particulate



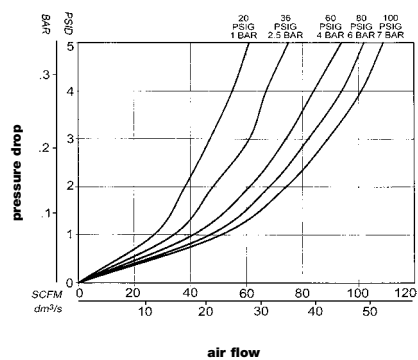
F22B-04 (5 micron particulate)



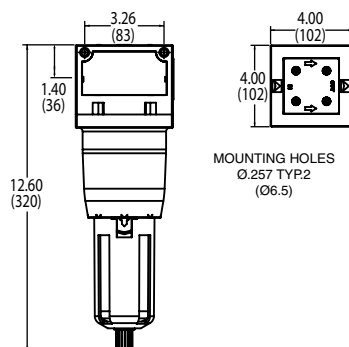
### 32 Series Particulate



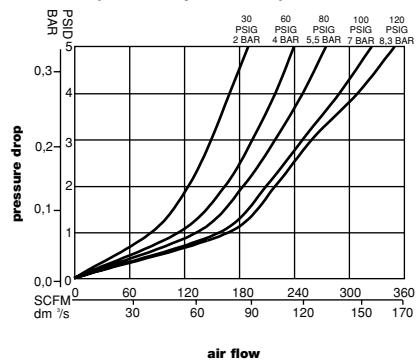
F32B-06 (5 micron particulate)



### 42 Series Particulate

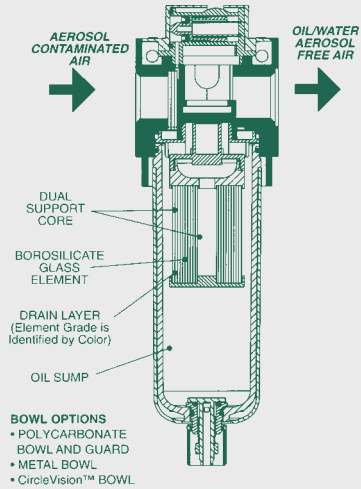


F42B-08 (5 micron particulate)





## FLEXIBLOK® FRL Series



### Coalescing Filter

F14, F22, F32, F42 Series

- Four convenient sizes
- Cartridge element design
- Inner and outer support cores prevent element from crushing in either flow direction
- Available with manual or automatic drain
- Optional **CircleVision™** sight bowl
- Dp indicator standard on 14, 22, 32 and 42 Series

### Recommended Uses

**C grade element**, identified by its blue drain layer, is a coarse filter for large amounts of water, rust, pipe scale, and liquid hydrocarbons. Excellent for environments that have severe contamination. Can be used for lubricated or 'dry' systems. Ideal for mainline filtration of plant air.

**D grade element**, identified by its green drain layer, is a fine filter for cylinder or valves - especially when the circuit is being run without lubrication ('dry'). Excellent filter for desiccant or regenerative style dryers.

**E grade element**, identified by its red drain layer, is an ultra fine filter for oil-free instrumentation air, blow molding, food and drug packaging, electronics applications, and other applications requiring maximum contamination removal.

**F grade element**, identified by its white drain layer, is an adsorbing filter that utilizes activated carbon to capture hydrocarbon vapor and deodorize compressed air. Typically it is used to protect worker environments, food and drug applications, breathing air, and instrumentation for analytical instruments. Life expectancy is approximately 3 months at rated flow.

## Specifications

| BOWL                     | POLYCARBONATE BOWL | CIRCLEVISION™ BOWL | METAL BOWL |
|--------------------------|--------------------|--------------------|------------|
| Temperature Range (°F)   | 40-120             | 40-120             | 40-120     |
| Temperature Range (°C)   | 4-50               | 4-50               | 4-50       |
| Max. Pressure (PSIG)     | 150                | 250                | 200        |
| Max. Pressure (BAR)      | 10                 | 17                 | 14         |
| 14 Series (Weight, lbs.) | 0.65               | .82                | 0.70       |
| 14 Series (Weight, kg)   | 0.30               | .37                | 0.32       |
| 22 Series (Weight, lbs.) | 0.66               | 0.89               | 1.28       |
| 22 Series (Weight, kg)   | 0.30               | 0.40               | 0.58       |
| 32 Series (Weight, lbs.) | 1.42               | 1.83               | 2.56       |
| 32 Series (Weight, kg)   | 0.65               | 0.83               | 1.16       |
| 42 Series (Weight, lbs.) | 3.70               | 4.15               | 4.80       |
| 42 Series (Weight, kg)   | 1.68               | 1.88               | 2.18       |

## How to Order

F 14 D - 02 AC

**Model**  
F = Filter

**Series**  
14 = 1.5 oz Bowl  
22 = 3.8 oz Bowl  
32 = 8.5 oz Bowl  
42 = 8.5 oz Bowl

**Element**  
C = 0.7 Micron Coarse Coalescer  
D = 0.3 Micron Fine Coalescer  
E = 0.01 Micron Ultra Fine Coalescer  
F = Vapor adsorber

**Threads**  
- = NPTF  
G = G Tap (BSPP)  
R = PT (BSPT)

**Options**  
A = Auto Drain (22, 32 and 42 Series)  
B = Flexible Drain  
C = CircleVision™ Sight Bowl  
D = 3 Micron, Internal Pleated Prefilter  
J = External Pulse Drain  
M = Metal Bowl With Sight Glass  
Q = Metal Manual Drain  
R = Manual Lever Drain  
U = No Dp Indicator

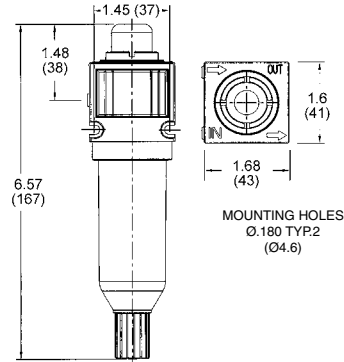
**Port Size**  
01 = 1/8 (14 Series Only)  
02 = 1/4 (14 or 22 Series Only)  
03 = 3/8 (22 Series Only)  
04 = 1/2 (22 or 32 Series Only)  
06 = 3/4 (32 or 42 Series Only)  
08 = 1 (42 Series Only)

### NEED MORE PARTS AND INFORMATION?

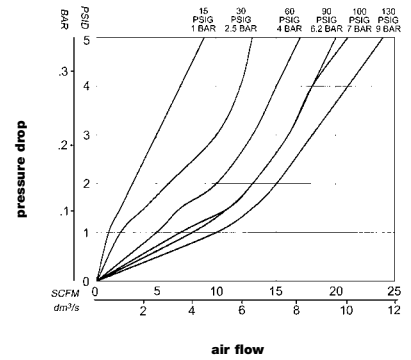
- See page 34 for more information on available drain options.
- See page 35 for information on ordering replacement parts.



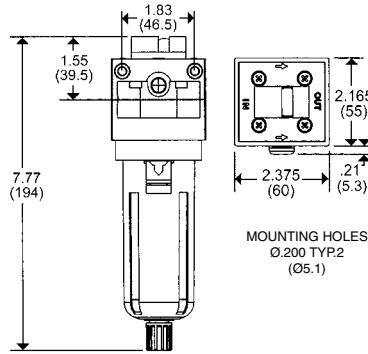
### 14 Series Coalescer



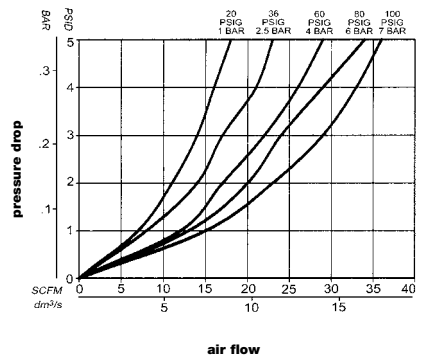
F14D-02 (0.3 micron coalescer)



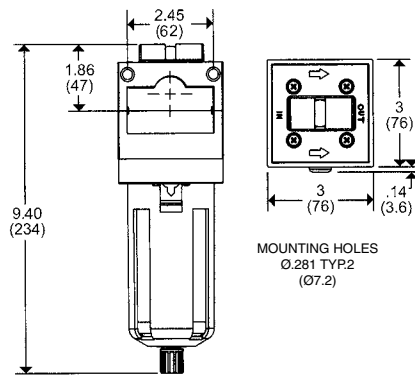
### 22 Series Coalescer



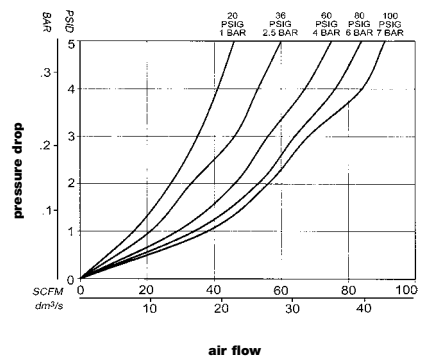
F22D-04 (0.3 micron coalescer)



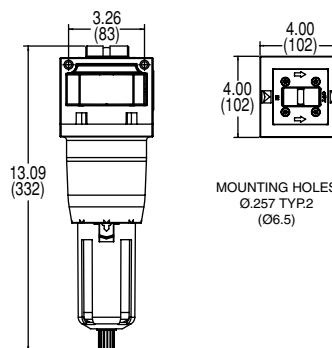
### 32 Series Coalescer



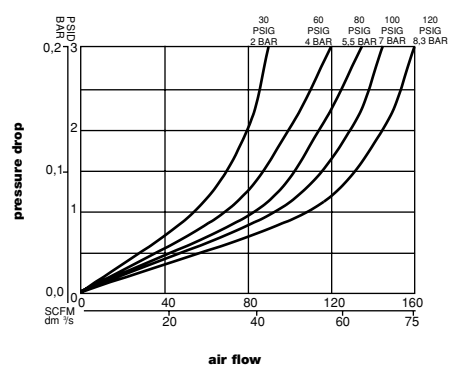
F32D-06 (0.3 micron coalescer)



### 42 Series Coalescer

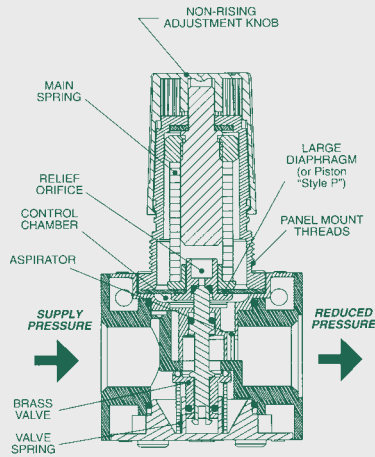
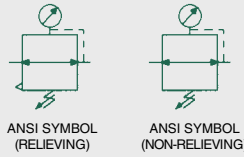


F42D-08 (0.3 micron coalescer)





## FLEXIBLOK® FRL Series



### Regulator

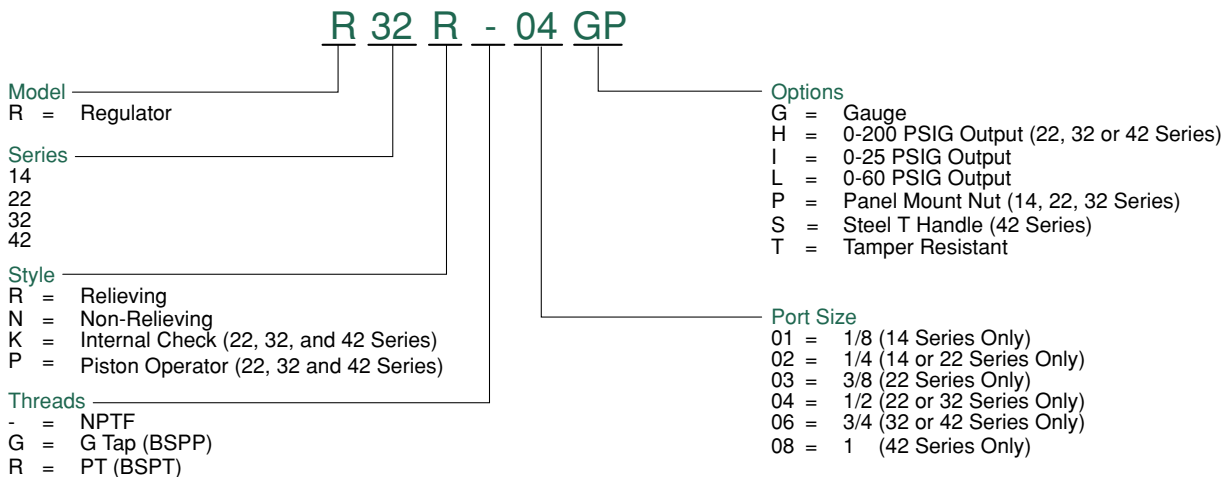
R14, R22, R32, R42 Series

- Four convenient sizes
- High flow in compact size
- Locking adjustment knob
- Four different pressure ratings available
- Relieving or non-relieving models
- Can be installed as modular or individual unit
- Standard output pressure 0-125 PSIG

### Specifications

|                        | 14 SERIES | 22 SERIES | 32 SERIES | 42 SERIES |
|------------------------|-----------|-----------|-----------|-----------|
| Temperature Range (°F) | 40-120    | 40-120    | 40-120    | 40-120    |
| Temperature Range (°C) | 4-50      | 4-50      | 4-50      | 4-50      |
| Max. Pressure (PSIG)   | 250       | 200       | 250       | 250       |
| Max. Pressure (BAR)    | 17        | 14        | 14        | 17        |
| Weight (lbs.)          | 0.65      | 0.69      | 1.37      | 4.30      |
| Weight (kg)            | 0.30      | 0.31      | 0.62      | 1.95      |
| Body Material          | Zinc      | Aluminum  | Aluminum  | Aluminum  |

### How to Order



**Notes:**

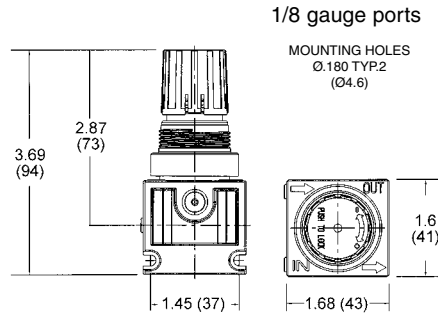
- 42 Series "H" spring comes standard with Steel "T" Handle.
- "T" option tamper resistant cannot be used with high pressure "H" option with 42 Series.

**NEED MORE PARTS AND INFORMATION?**

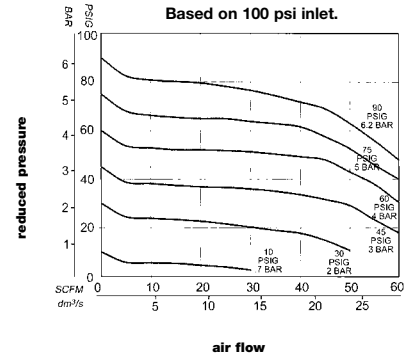
- See page 35 for information on ordering replacement parts.



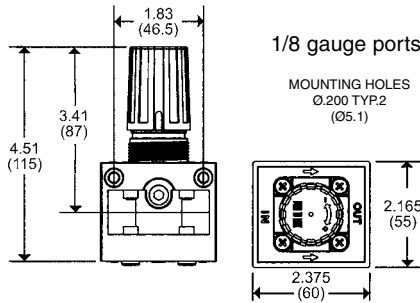
### 14 Series Regulator



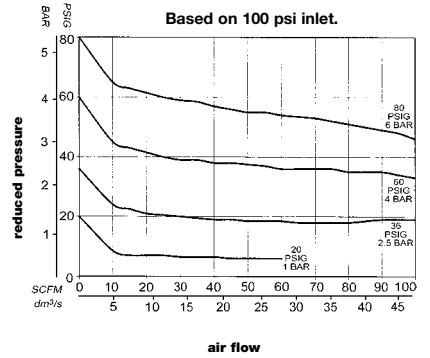
R14R-02 (14 Series Regulator)



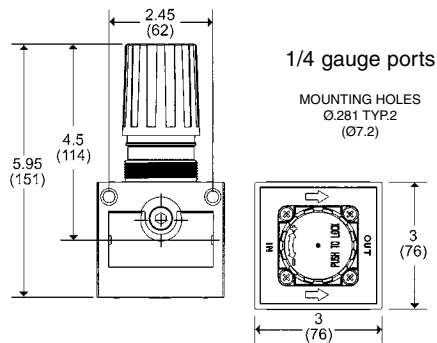
### 22 Series Regulator



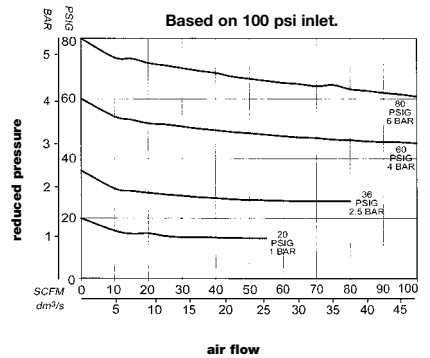
R22R-04 (22 Series Regulator)



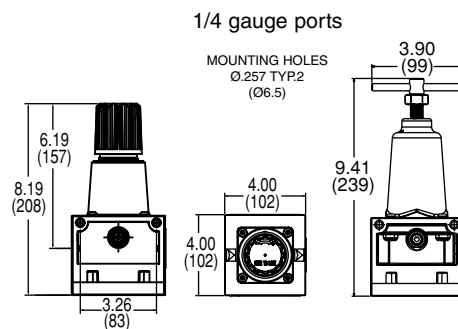
### 32 Series Regulator



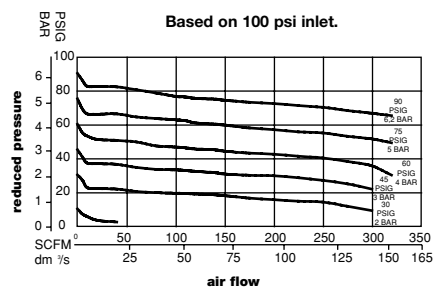
R32R-06 (32 Series Regulator)



### 42 Series Regulator



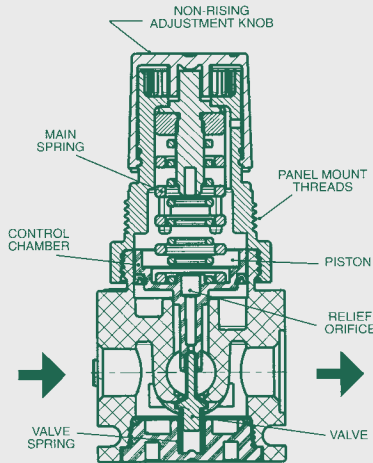
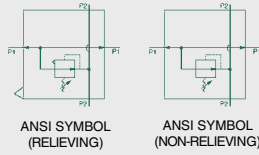
R42R-08 (42 Series Regulator)



Steel "T" Handle Option



## FLEXIBLOK® FRL Series



### Manifold Regulator MR14 Series

The 14 Series Manifold Regulator allows several regulators to be chained together while maintaining a constant primary pressure to each regulator. This regulator features a dual spring design which covers any possible outlet setting without the need to indicate a specific spring, eliminating confusing options and part numbers. The regulator uses the inner spring for more precise, lower pressures, and the outer spring for middle to high pressures. As the smaller, inner spring is compressed, the larger, outer spring takes over for higher pressures.

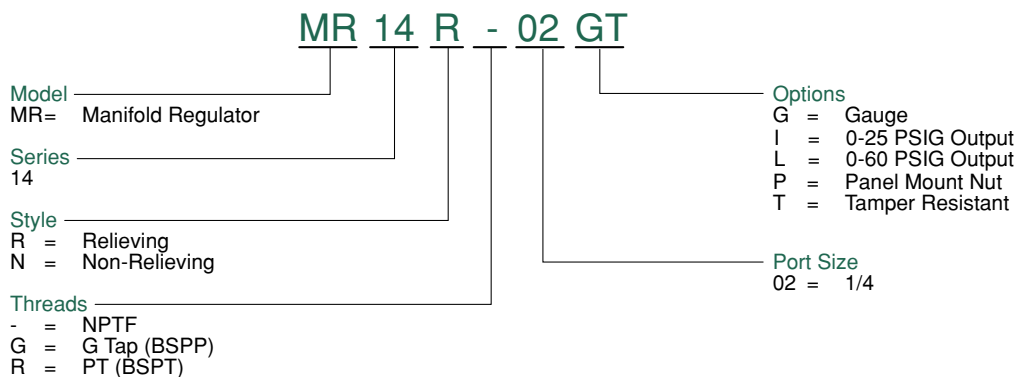
Regulators consist of a piston which floats between the main springs (top) and a valve stem (bottom). By turning the adjustment knob clockwise, the main spring is forced onto the piston which, in turn, is pressed onto the valve stem. When the spring force becomes greater than the force of the air pressure in the control chamber below the piston, the valve is forced down and flow begins. As flow continues, the pressure begins to build and air, via the aspirator tube, fills the control chamber. When the underside piston force is greater than the main spring force, the piston is forced upward, causing the main valve to close. The cycle continues in a balanced process of reducing or increasing flow based upon the downstream pressure.

### Specifications

| 14 SERIES              |        |
|------------------------|--------|
| Temperature Range (°F) | 40-120 |
| Temperature Range (°C) | 4-50   |
| Max. Pressure (PSIG)   | 250    |
| Max. Pressure (BAR)    | 17     |
| Weight (lbs.)          | 0.60   |
| Weight (kg)            | 0.27   |

- High flow in compact size
- Locking adjustment knob
- Single pressure range suits any application
- Relieving or non-relieving models
- Can be installed as modular or individual unit
- Standard output pressure 0-125 PSIG

### How to Order



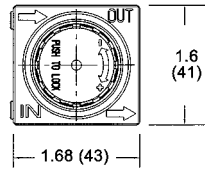
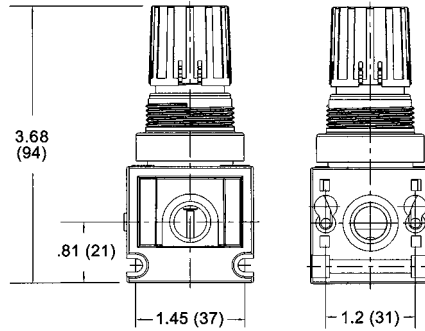
#### NEED MORE PARTS AND INFORMATION?

- See page 35 for information on ordering replacement parts.





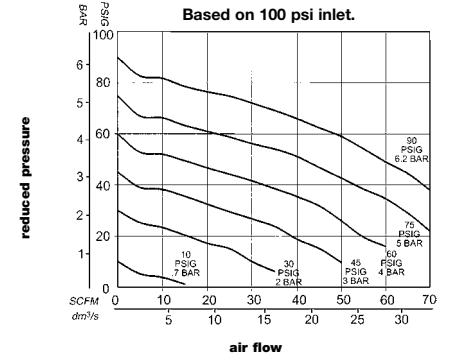
### 14 Series Manifold Regulator



1/4 gauge ports

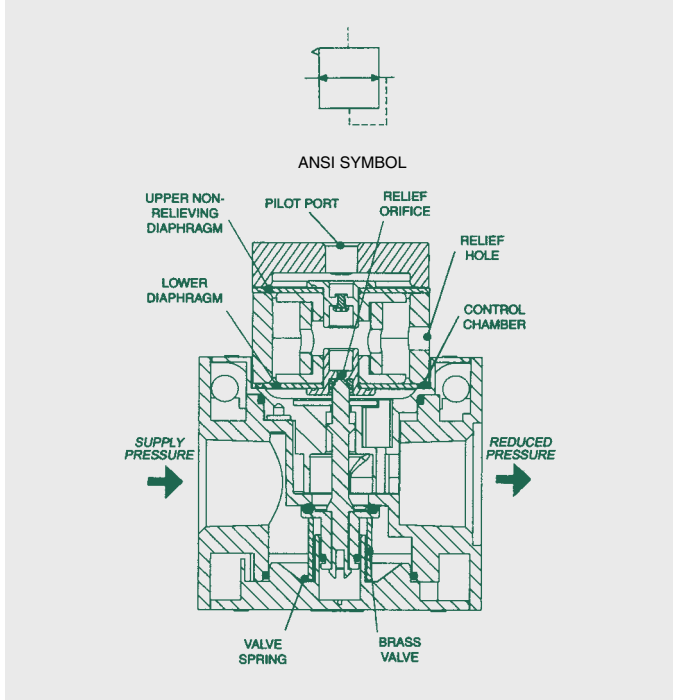
MOUNTING HOLES  
Ø.300 TYP.2 (Ø7.6)

**MR14R-02 (14 Series Manifold Regulator)**





## FLEXIBLOK® FRL Series



### Regulator

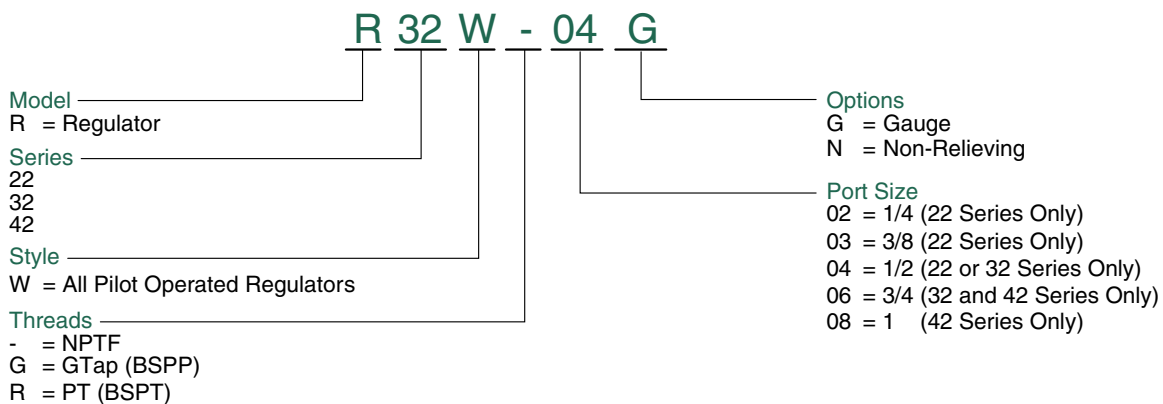
R22, R32, R42 Series

- Three convenient sizes
- High flow in compact size
- Can be installed as modular or individual unit
- Standard output pressure 0-125 PSIG
- Relieving or non-relieving models

### Specifications

|                            | 22 SERIES | 32 SERIES | 42 SERIES |
|----------------------------|-----------|-----------|-----------|
| Temperature Range (°F)     | 40-120    | 40-120    | 40-120    |
| Temperature Range (°C)     | 4-50      | 4-50      | 4-50      |
| Min. Pilot Pressure (PSI)  | 15        | 15        | 15        |
| Min. Pilot Pressure (BAR)  | 1         | 1         | 1         |
| Max.-Pilot Pressure (PSI)  | 150       | 150       | 200       |
| Max. Pilot Pressure (BAR)  | 10.2      | 10.2      | 14        |
| Max. Supply Pressure (PSI) | 150       | 150       | 250       |
| Max. Supply Pressure (BAR) | 10.2      | 10.2      | 17.2      |
| Weight (lbs.)              | 0.66      | 1.35      | 3.85      |
| Weight (kg)                | 0.25      | 0.50      | 1.75      |
| Body Material              | Aluminum  | Aluminum  | Aluminum  |

### How to Order

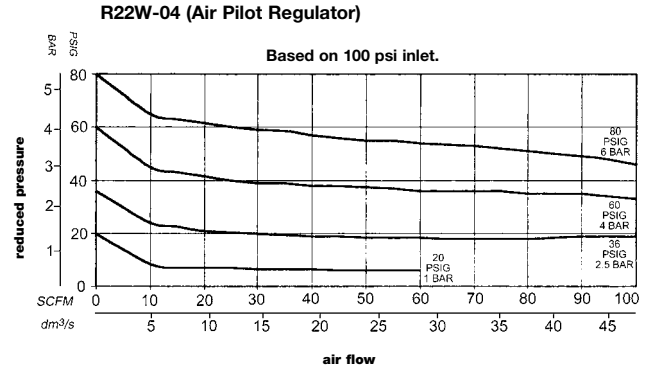
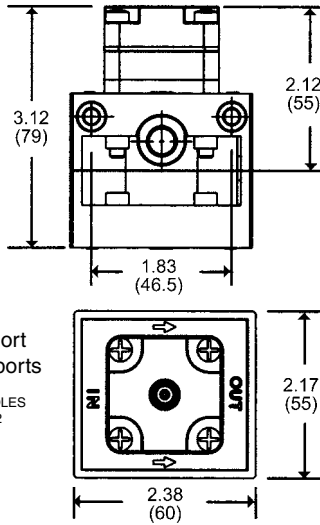


NEED MORE PARTS AND INFORMATION?

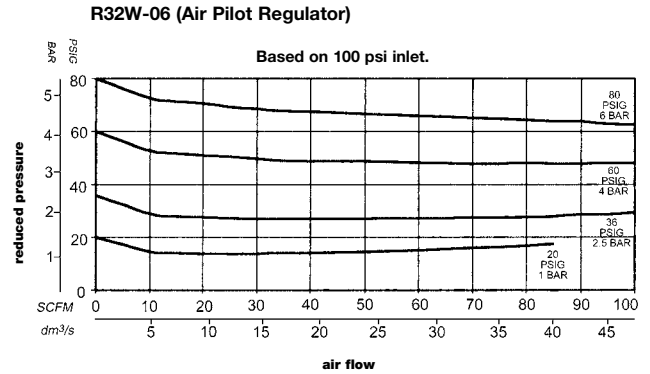
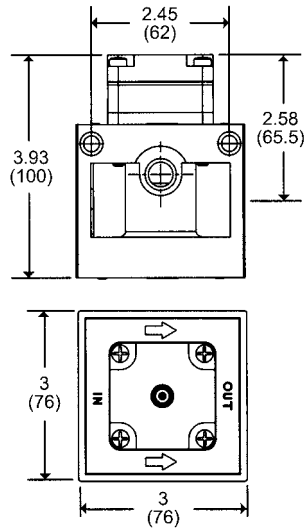
- See page 35 for information on ordering replacement parts.



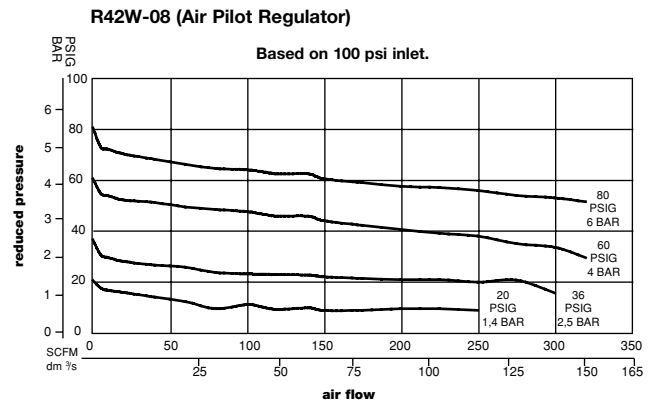
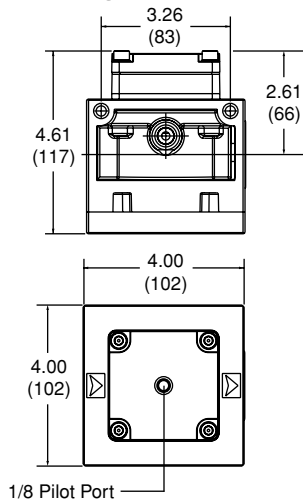
### 22 Series Pilot Operated Regulator



### 32 Series Pilot Operated Regulator

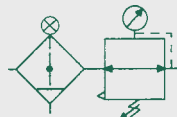


### 42 Series Pilot Operated Regulator

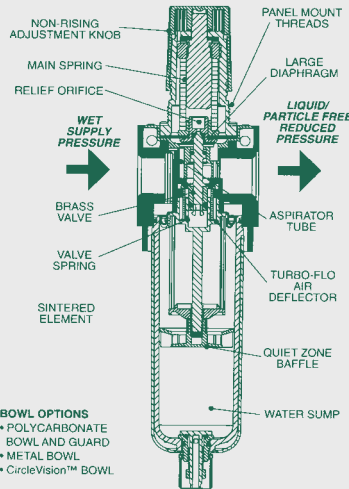




## FLEXIBLOK® FRL Series



ANSI SYMBOL



- BOWL OPTIONS**
- POLYCARBONATE BOWL AND GUARD
  - METAL BOWL
  - CircleVision™ BOWL

### Particulate Filter/Regulator P14B, P22B, P32B, P42B Series

- Four convenient sizes
- 5 micron element standard
- Can be installed as individual or modular unit
- Non-rising knob
- Optional **CircleVision™** sight bowl
- Optional metal bowl with sight glass
- Standard output pressure 0-125 PSIG
- Bowl seal held captive (22, 32, and 42 Series)

### Specifications

| BOWL                     | POLYCARBONATE BOWL | CIRCLEVISION™ BOWL | METAL BOWL |
|--------------------------|--------------------|--------------------|------------|
| Temperature Range (°F)   | 40-120             | 40-120             | 40-120     |
| Temperature Range (°C)   | 4-50               | 4-50               | 4-50       |
| Max. Pressure (PSIG)     | 150                | 250                | 200        |
| Max. Pressure (BAR)      | 10                 | 17                 | 14         |
| 14 Series (Weight, lbs.) | 0.75               | 0.90               | 0.80       |
| 14 Series (Weight, kg)   | 0.34               | 0.40               | 0.37       |
| 22 Series (Weight, lbs.) | 0.91               | 1.20               | 1.50       |
| 22 Series (Weight, kg)   | 0.41               | 0.55               | 0.68       |
| 32 Series (Weight, lbs.) | 1.81               | 2.34               | 2.94       |
| 32 Series (Weight, kg)   | 0.82               | 1.06               | 1.34       |
| 42 Series (Weight, lbs)  | 5.05               | 5.50               | 6.15       |
| 42 Series (Weight, kg)   | 2.29               | 2.49               | 2.79       |

### How to Order

**P 14 B - 02 GIP**

**Model**  
P = Particulate/Regulator

**Series**  
14 = 1.5 oz Bowl  
22 = 3.8 oz Bowl  
32 = 8.5 oz Bowl  
42 = 8.5 oz Bowl

**Element**  
B = 5 Micron Element

**Threads**  
- = NPTF  
G = G Tap (BSPP)  
R = PT (BSPT)

**Port Size**  
01 = 1/8 (14 series only)  
02 = 1/4 (14 or 22 series only)  
03 = 3/8 (22 series only)  
04 = 1/2 (22 or 32 series only)  
06 = 3/4 (32 or 42 series only)  
08 = 1 (42 series only)

**Options**

- A\* = Auto Drain (22, 32, and 42 Series)
- B = Flexible Drain
- C = CircleVision™ Sight Bowl
- G = Gauge
- H\* = 0-200 PSIG Output (22, 32 and 42 Series)
- I = 0-25 PSIG Output
- J = External Pulse Drain
- L = 0-60 PSIG Output (22, 32 and 42 Series)
- M = Metal Bowl with Sight Glass
- N = Non-Relieving
- P = Panel Mount Nut (14, 22, and 32 Series)
- Q = Metal Manual Drain
- R = Manual Lever Drain
- T = Tamper Resistant
- S = Steel T Handle (42 Series)
- V = Shut off valve

\*"A" and "H" options cannot be used together.

**Notes:**

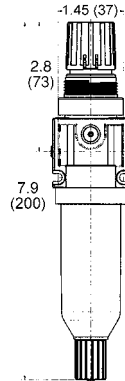
- To order a piston style particulate filter/regulator, add "P" to the model number.(example: P32BP-04GIP)
- "T" option tamper resistant cannot be used with high pressure "H" option with 42 Series.

**NEED MORE PARTS AND INFORMATION?**

- See page 35 for information on ordering replacement parts.
- See page 34 for more information on available options.

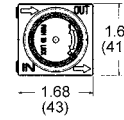


### 14 Series Filter/Regulator

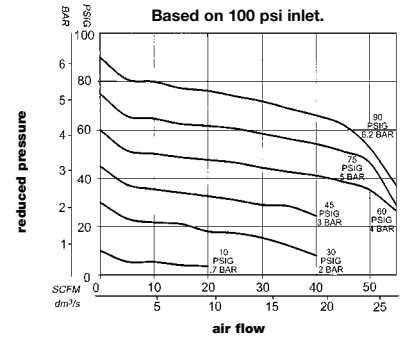


1/8 gauge ports

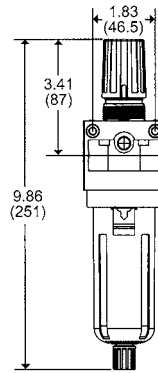
MOUNTING HOLES  
Ø.180 TYP.2  
(Ø4.6)



**P14B-02 (5 micron particulate)**

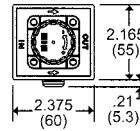


### 22 Series Filter/Regulator

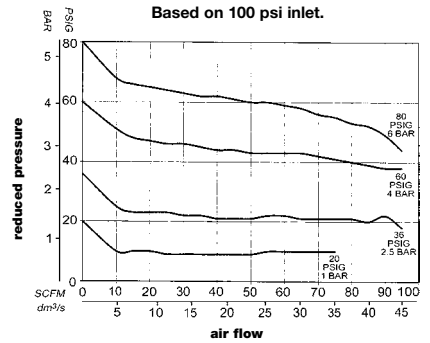


1/8 gauge ports

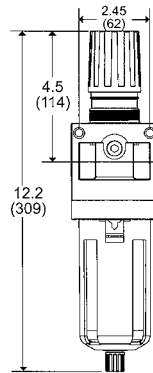
MOUNTING HOLES  
Ø.200 TYP.2  
(Ø5.1)



**P22B-04 (5 micron particulate)**

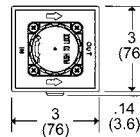


### 32 Series Filter/Regulator

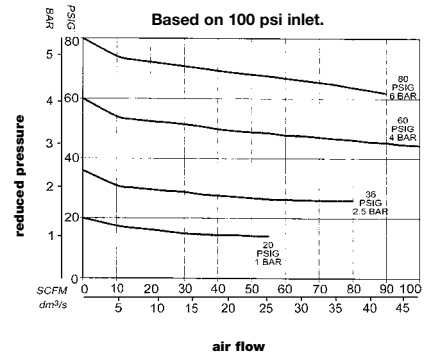


1/4 gauge ports

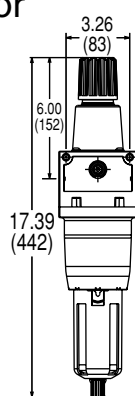
MOUNTING HOLES  
Ø.281 TYP.2  
(Ø7.2)



**P32B-06 (5 micron particulate)**

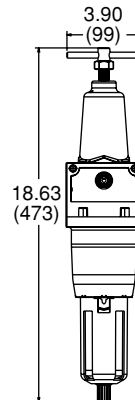
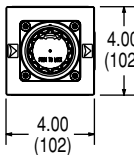


### 42 Series Filter/Regulator



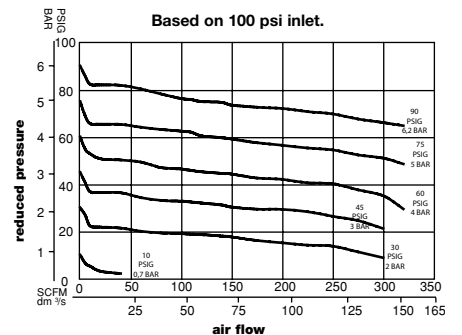
1/4 gauge ports

MOUNTING HOLES  
Ø.257 TYP.2  
(Ø6.5)



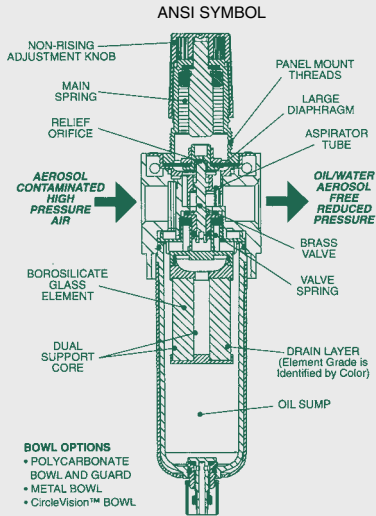
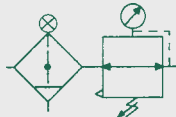
Steel "T" Handle Option

**P42B-08 (5 micron particulate)**





## FLEXIBLOK® FRL Series



### Coalescing Filter/Regulator

C14, C22, C32, C42 Series

- Four convenient sizes
- Cartridge element design
- Inner/outer support cores prevent element from crushing in either flow direction
- Connects easily to **FLEXIBLOK®** Modular system
- Four element grades available

### Recommended Uses

**C grade element**, identified by its blue drain layer, is a coarse filter for large amounts of water, rust, pipe scale, and liquid hydrocarbons. Excellent for environments that have severe contamination. Can be used for lubricated or 'dry' systems. Ideal for mainline filtration of plant air.

**D grade element**, identified by its green drain layer, is a fine filter for cylinder or valves - especially when the circuit is being run without lubrication ('dry'). Excellent filter for desiccant or regenerative style dryers.

**E grade element**, identified by its red drain layer, is an ultra fine filter for oil-free instrumentation air, blow molding, food and drug packaging, electronics applications, and other applications requiring maximum contamination removal.

**F grade element**, identified by its white drain layer, is an adsorbing filter that utilizes activated carbon to capture hydrocarbon vapor and deodorize compressed air. Typically it is used to protect worker environments, food and drug applications, breathing air, and instrumentation for analytical instruments. Life expectancy is approximately 3 months at rated flow.

### Specifications

| BOWL                     | POLYCARBONATE BOWL | CIRCLEVISION™ BOWL | METAL BOWL |
|--------------------------|--------------------|--------------------|------------|
| Temperature Range (°F)   | 40-120             | 40-120             | 40-120     |
| Temperature Range (°C)   | 4-50               | 4-50               | 4-50       |
| Max. Pressure (PSIG)     | 150                | 250                | 200        |
| Max. Pressure (BAR)      | 10                 | 17                 | 14         |
| 14 Series (Weight, lbs.) | 0.80               | 0.95               | 0.85       |
| 14 Series (Weight, kg)   | 0.35               | 0.43               | 0.38       |
| 22 Series (Weight, lbs.) | 0.92               | 1.20               | 1.60       |
| 22 Series (Weight, kg)   | 0.42               | 0.55               | 0.73       |
| 32 Series (Weight, lbs.) | 1.82               | 2.35               | 2.95       |
| 32 Series (Weight, kg)   | 0.83               | 1.07               | 1.34       |
| 42 Series (Weight, lbs.) | 5.05               | 5.50               | 6.15       |
| 42 Series (Weight, kg)   | 2.29               | 2.49               | 2.79       |

### How to Order

**C 32 C - 06 AGNQ**

Model  
C = Coalescer/Regulator

Series  
14 = 1.5 oz Bowl  
22 = 3.8 oz Bowl  
32 = 8.5 oz Bowl  
42 = 8.5 oz Bowl

Element  
C = 0.7 Micron Coarse Coalescer  
D = 0.3 Micron Fine Coalescer  
E = 0.01 Micron Ultra Fine Coalescer  
F = Vapor Adsorber

Threads  
- = NPTF  
G = G Tap (BSPP)  
R = PT (BSPT)

Port Size  
01 = 1/8 (14 series only)  
02 = 1/4 (14 or 22 series only)  
03 = 3/8 (22 series only)  
04 = 1/2 (22 or 32 series only)  
06 = 3/4 (32 or 42 series only)  
08 = 1 (42 series only)

Options

A\* = Auto Drain (22, 32, and 42 series)  
B = Flexible Drain  
C = CircleVision™ Sight Bowl  
D = 3 Micron, Internal Pleated Filter  
G = Gauge  
H\* = 0-200 PSIG Output  
I = 0-25 PSIG Output  
J = External Pulse Drain  
L = 0-60 PSIG Output  
M = Metal Bowl with Sight Glass  
N = Non-Relieving  
P = Panel Mount Nut  
Q = Metal Manual Drain  
R = Manual Lever Drain  
S = Steel T Handle (42 Series)  
T = Tamper Resistant  
V = Shut Off Valve

\*A\* and 'H' options cannot be used together.

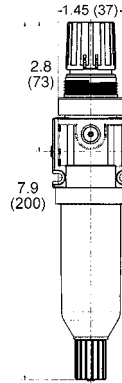
Note: To order a piston style coalescing/regulator, add "P" to the model number. (ie: C32CP-06AGQ)

### NEED MORE PARTS AND INFORMATION?

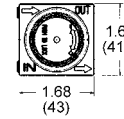
- See page 35 for information on ordering replacement parts.
- See page 34 for more information on available options.



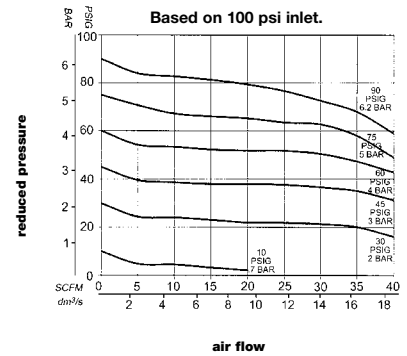
### 14 Series Coalescer/Regulator



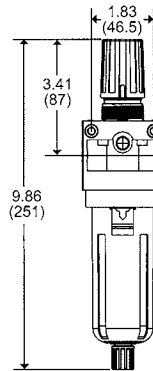
1/8 gauge ports  
MOUNTING HOLES  
Ø.180 TYP.2  
(Ø4.6)



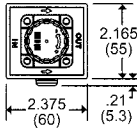
C14D-02 (0.3 micron coalescing)



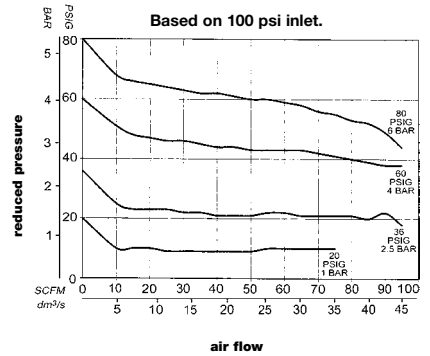
### 22 Series Coalescer/Regulator



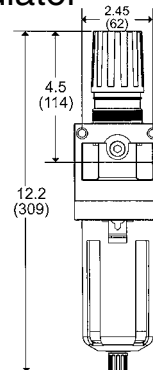
1/8 gauge ports  
MOUNTING HOLES  
Ø.200 TYP.2  
(Ø5.1)



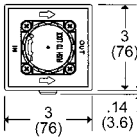
C22D-04 (0.3 micron coalescing)



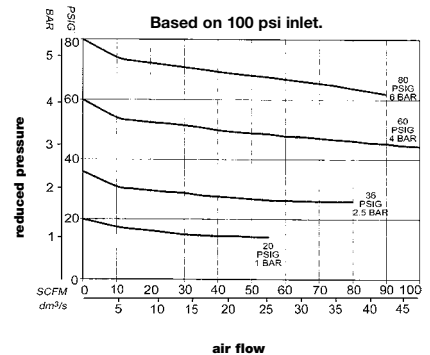
### 32 Series Coalescer/Regulator



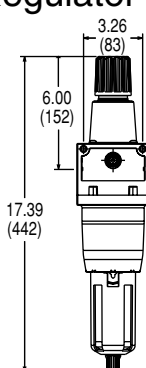
1/4 gauge ports  
MOUNTING HOLES  
Ø.281 TYP.2  
(Ø7.2)



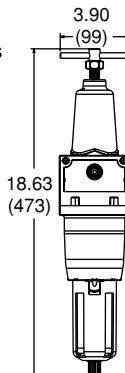
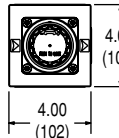
C32D-06 (0.3 micron coalescing)



### 42 Series Coalescer/Regulator

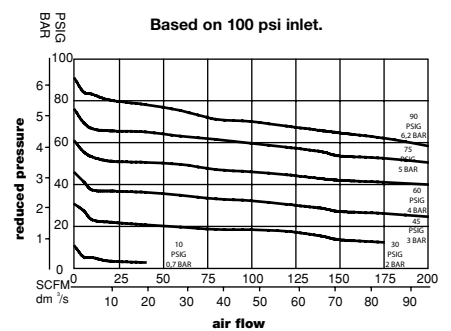


1/4 gauge ports  
MOUNTING HOLES  
Ø.257 TYP.2  
(Ø6.5)



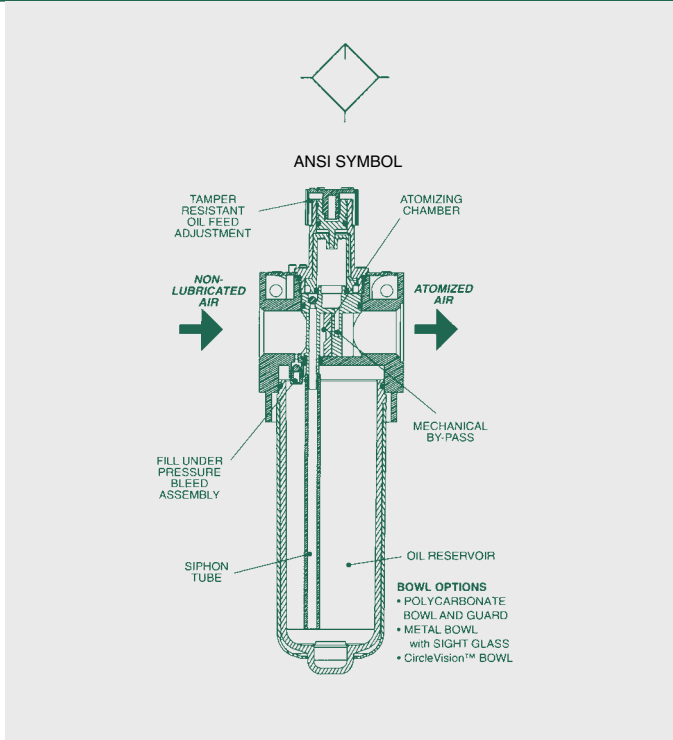
Steel "T" Handle Option

C42D-08 (0.3 micron coalescing)





## FLEXIBLOK® FRL Series



### Lubricator

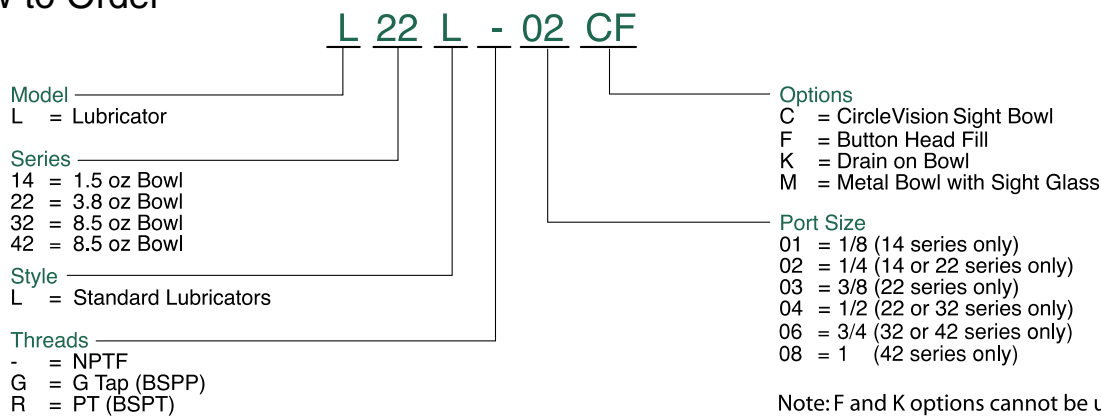
L14L, L22L, L32L, L42L Series

- Four convenient sizes
- Lubrication to begin at 2 SCFM
- Can be filled under pressure (32 and 42 series only)
- Tamper-resistant knob standard
- Optional CircleVision™ sight bowl
- Optional metal bowl with sight glass
- Can be mounted as individual or modular unit
- Button head fill optional on all sizes
- Atomizing chamber develops longer life aerosols

## Specifications

|                        | 14 SERIES | 22 SERIES | 32 SERIES | 42 SERIES |
|------------------------|-----------|-----------|-----------|-----------|
| Temperature Range (°F) | 40-120    | 40-120    | 40-120    | 40-120    |
| Temperature Range (°C) | 4-50      | 4-50      | 4-50      | 4-50      |
| Max. Pressure (PSIG)   | 200       | 200       | 200       | 200       |
| Max. Pressure (BAR)    | 14        | 14        | 14        | 14        |
| Weight (lbs.)          | 0.60      | 0.69      | 1.37      | 4.15      |
| Weight (kg)            | 0.27      | 0.31      | 0.62      | 2.18      |
| Body Material          | Zinc      | Aluminum  | Aluminum  | Aluminum  |

## How to Order



Note: F and K options cannot be used together.

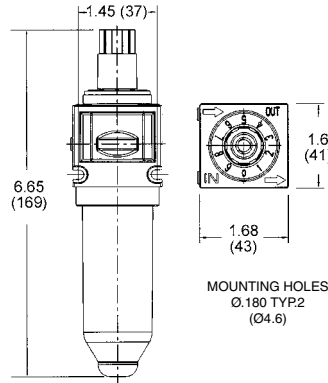
### NEED MORE PARTS AND INFORMATION?

- See page 35 for information on ordering replacement parts.

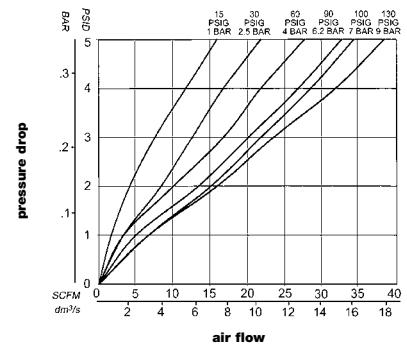




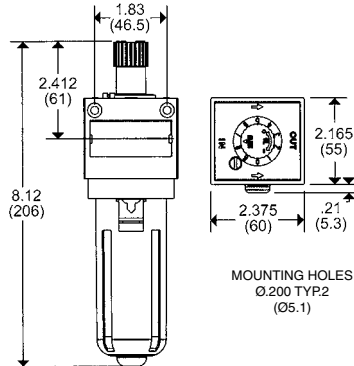
### 14 Series Lubricator



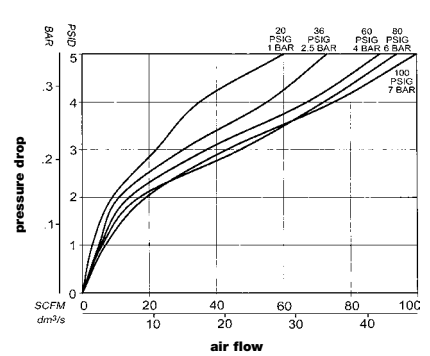
L14L-02 (14 Series Lubricator)



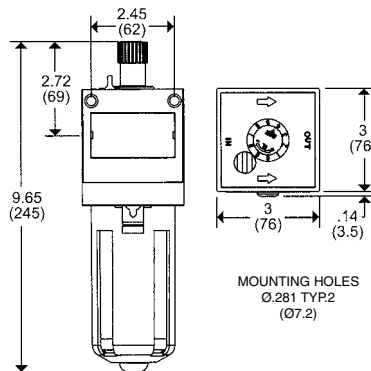
### 22 Series Lubricator



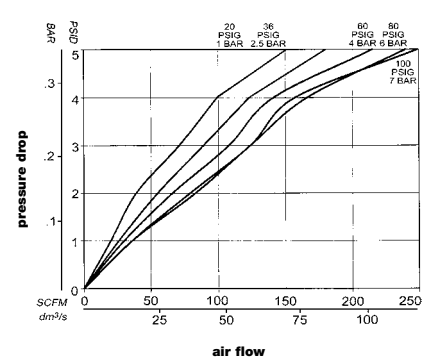
L22L-04 (22 Series Lubricator)



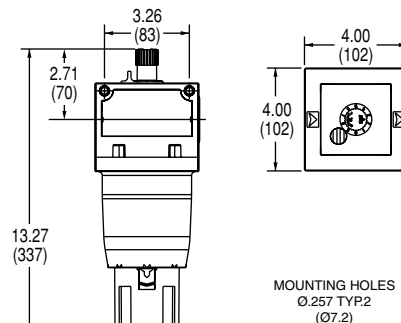
### 32 Series Lubricator



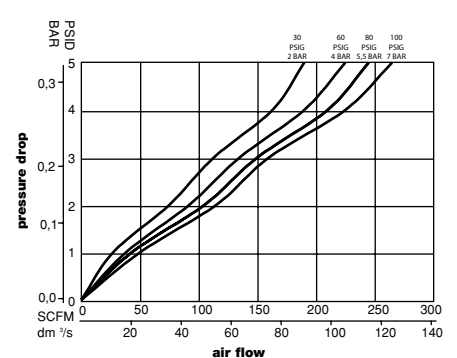
L32L-06 (32 Series Lubricator)



### 42 Series Lubricator

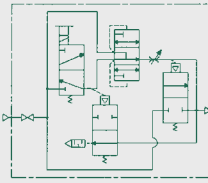


L42L-06 (42 Series Lubricator)

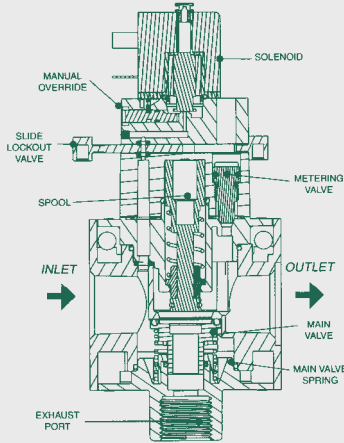




## FLEXIBLOK® FRL Series



ANSI SYMBOL



### Solenoid Soft Start Quick Exhaust Valve S22C, S32C, S42C Series

- Three convenient sizes
- Lockout feature prevents unauthorized pressurization of system
- High exhaust capacity for quick depletion of pressure
- High inlet to outlet flow capability
- Connects easily to **FLEXIBLOK®** Modular system
- Incorporated metering valve controls how quickly downstream pressure is reached, which controls the slow start feature

### Specifications

|                        | 22 SERIES   | 32 SERIES   | 42 SERIES          |
|------------------------|-------------|-------------|--------------------|
| Exhaust Ports (NPTF)   | 1/2         | 1/2         | 3/8 (3 exh. ports) |
| Gauge Ports (NPTF)     | 1/8         | 1/4         | 1/4                |
| Temperature Range (°F) | 40-120      | 40-120      | 40-120             |
| Temperature Range (°C) | 4-50        | 4-50        | 4-50               |
| Min. Pressure (PSI)    | 60          | 60          | 20                 |
| Min. Pressure (BAR)    | 4           | 4           | 1.38               |
| Max. Pressure (PSI)    | 150         | 150         | 150                |
| Max. Pressure (BAR)    | 10          | 10          | 10                 |
| Weight, lbs. (kg.)     | 0.94 (0.43) | 1.56 (0.71) | 4.35 (1.97)        |
| Body Material          | Aluminum    | Aluminum    | Aluminum           |

|                                    |             |
|------------------------------------|-------------|
| Cv in-out/out-exh (22 Series, 1/4) | 2 / 1.2     |
| Cv in-out/out-exh (22 Series, 3/8) | 2.87 / 1.38 |
| Cv in-out/out-exh (22 Series, 1/2) | 3.62 / 1.32 |
| Cv in-out/out-exh (32 Series, 1/2) | 5.24 / 3.01 |
| Cv in-out/out-exh (32 Series, 3/4) | 6.47 / 3.14 |
| Cv in-out/out-exh (42 Series, 3/4) | 7.5 / 5.0   |
| Cv in-out/out-exh (42 Series, 1)   | 8.0 / 5.0   |

### WATTAGE AND AMPERAGE

|         |                         |
|---------|-------------------------|
| 110V AC | 1.42 watts / 0.022 amps |
| 230V AC | 2.00 watts / 0.016 amps |
| 24V AC  | 2.00 watts / 0.011 amps |
| 24V AC  | 2.00 watts / 0.080 amps |

### How to Order

**S 32 C - 06 BFGLM**

#### Model

S = Solenoid Soft Start

#### Series

22  
32  
42

#### Style

C = Standard Solenoid Soft Start

#### Threads

- = NPTF  
G = G Tap (BSPP)  
R = PT (BSPT)

#### Options

B = Revision Level  
E = 110V AC 50/60 Hz  
F = 230V AC 50/60 Hz  
G = Gauge  
J = 24V AC 50/60 Hz Coil  
K = 24V DC Coil  
L = Plug with Light  
M = Muffler  
N = No manual Override  
P = Black Plug Assembly  
Q = 4 Pin Micro Connector  
X = No Slide

#### Port Size

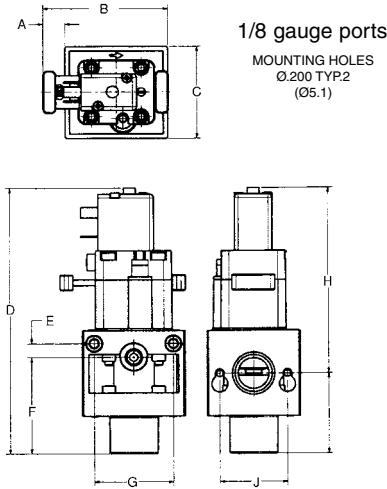
02 = 1/4 (22 Series Only)  
03 = 3/8 (22 Series Only)  
04 = 1/2 (22 or 32 Series)  
06 = 3/4 (32 or 42 Series Only)  
08 = 1 (42 Series Only)

### NEED MORE PARTS AND INFORMATION?

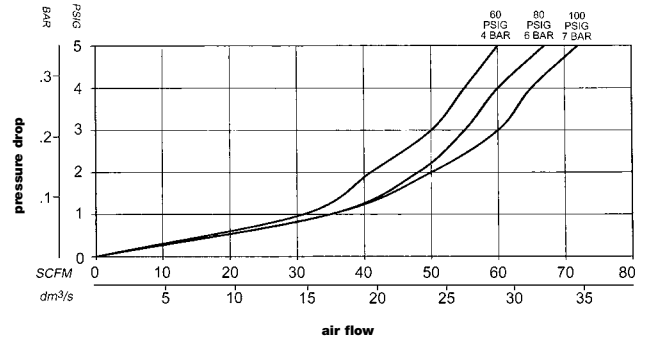
- See page 35 for information on ordering replacement parts.



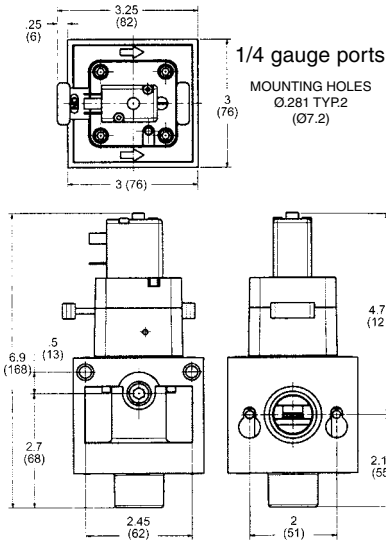
### 22 Series Solenoid Soft Start



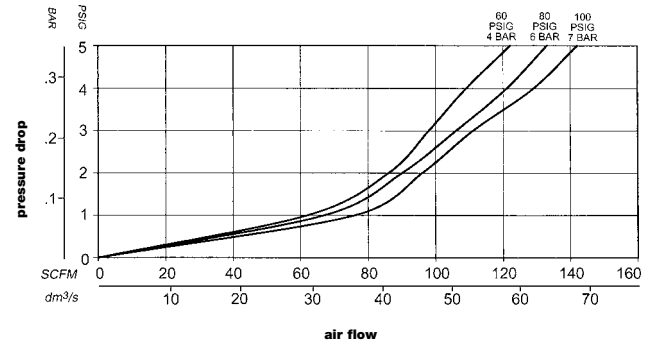
S22C-04B (22 Series Solenoid Soft Start Quick Exhaust Valve)



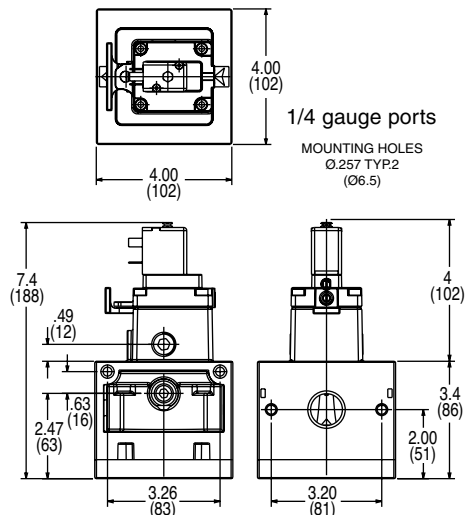
### 32 Series Solenoid Soft Start



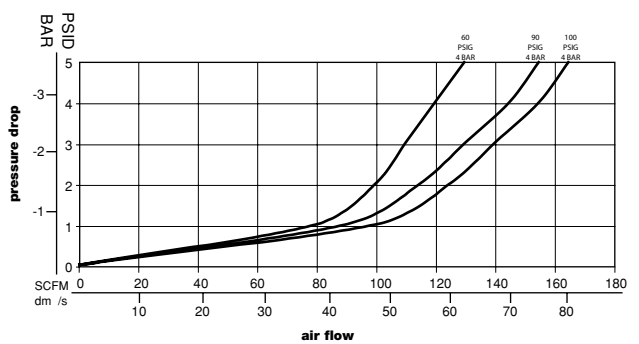
S32C-06B (32 Series Solenoid Soft Start Quick Exhaust Valve)



### 42 Series Solenoid Soft Start



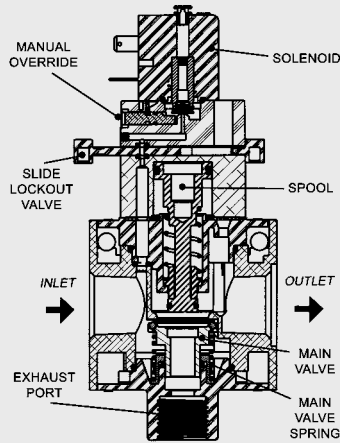
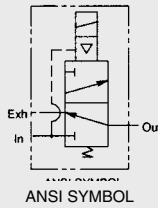
S42C-08B (42 Series Solenoid Soft Start Quick Exhaust Valve)



\* Muffler and plug not included



## FLEXIBLOK® FRL Series



### Solenoid Quick Exhaust Valve S14E, S22E, S32E, S42E Series

- Four convenient sizes
- Lockout feature (located in slide valve) prevents unauthorized pressurization of system (22, 32, and 42 Series)
- Standard manual override (or with no manual override option)
- Low-wattage coil prevents high-temperatures
- High exhaust capacity for quick depletion of pressure
- High inlet to outlet flow capability
- Connects easily to **FLEXIBLOK®** Modular system

### Specifications

|                        | 14 SERIES   | 22 SERIES   | 32 SERIES   | 42 SERIES   |
|------------------------|-------------|-------------|-------------|-------------|
| Exhaust Ports (NPTF)   | 1/8         | 1/2         | 1/2         | 3/4         |
| Gauge Ports (NPTF)     | 10-32 UNF   | 1/8         | 1/4         | 1/4         |
| Temperature Range (°F) | 40-120      | 40-120      | 40-120      | 40-120      |
| Temperature Range (°C) | 4-50        | 4-50        | 4-50        | 4-50        |
| Min. Pressure (PSI)    | 40          | 40          | 40          | 20          |
| Min. Pressure (BAR)    | 2.76        | 2.76        | 2.76        | 1.38        |
| Max. Pressure (PSI)    | 150         | 150         | 150         | 150         |
| Max. Pressure (BAR)    | 10          | 10          | 10          | 10          |
| Weight, lbs. (kg.)     | 1.25 (0.57) | 1.15 (0.53) | 1.75 (0.79) | 3.45 (1.56) |
| Body Material          | Zinc        | Aluminum    | Aluminum    | Aluminum    |

|                                    |             |
|------------------------------------|-------------|
| Cv in-out/out-exh (14 Series, 1/8) | 1.15 / 1.10 |
| Cv in-out/out-exh (14 Series, 1/4) | 1.55 / 1.10 |
| Cv in-out/out-exh (22 Series, 1/4) | 2 / 1.2     |
| Cv in-out/out-exh (22 Series, 3/8) | 2.87 / 1.38 |
| Cv in-out/out-exh (22 Series, 1/2) | 3.62 / 1.32 |
| Cv in-out/out-exh (32 Series, 1/2) | 5.24 / 3.01 |
| Cv in-out/out-exh (32 Series, 3/4) | 6.47 / 3.14 |
| Cv in-out/out-exh (42 Series, 3/4) | 7.5 / 5.0   |
| Cv in-out/out-exh (42 Series, 1)   | 8.0 / 5.0   |

### WATTAGE AND AMPERAGE

|         |                         |
|---------|-------------------------|
| 110V AC | 1.42 watts / 0.022 amps |
| 230V AC | 2.00 watts / 0.016 amps |
| 24V AC  | 2.00 watts / 0.011 amps |
| 24V AC  | 2.00 watts / 0.080 amps |

### How to Order

**S 32 E - 04 BFGLM**

#### Model

S = Solenoid Quick Exhaust

#### Series

14  
22  
32  
42

#### Style

E = Standard Solenoid Quick Exhaust Valve

#### Threads

- = NPTF  
G = G Tap (BSPP)  
R = PT (BSPT)

#### Options

B = Revision Level  
E = 110V AC 50/60 Hz  
F = 230V AC 50/60 Hz  
G = Gauge  
J = 24V AC 50/60 Hz Coil  
K = 24V DC Coil  
L = Plug with Light  
M = Muffler  
N = No manual Override  
P = Standard Black Plug Assembly  
Q = 4 Pin Micro Connector  
X = No Slide

#### Port Size

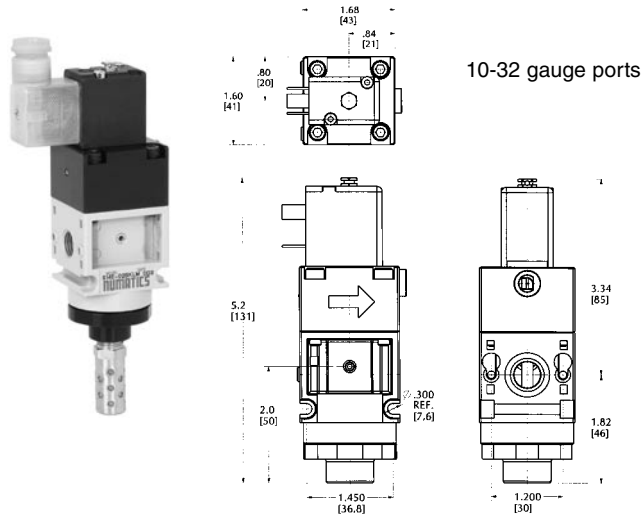
01 = 1/8 (14 Series Only)  
02 = 1/4 (14 or 22 Series)  
03 = 3/8 (22 Series Only)  
04 = 1/2 (22 or 32 Series)  
06 = 3/4 (32 or 42 Series Only)  
08 = 1 (42 Series Only)

### NEED MORE PARTS AND INFORMATION?

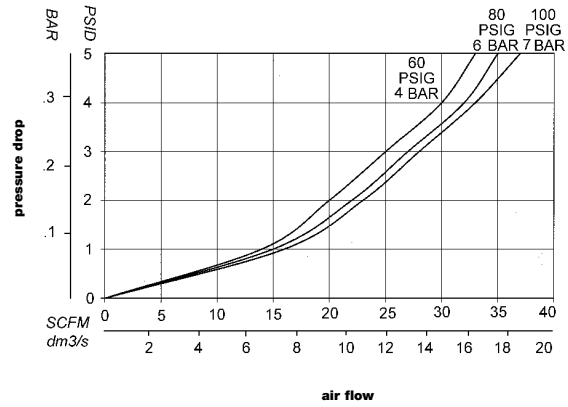
- See page 35 for information on ordering replacement parts.



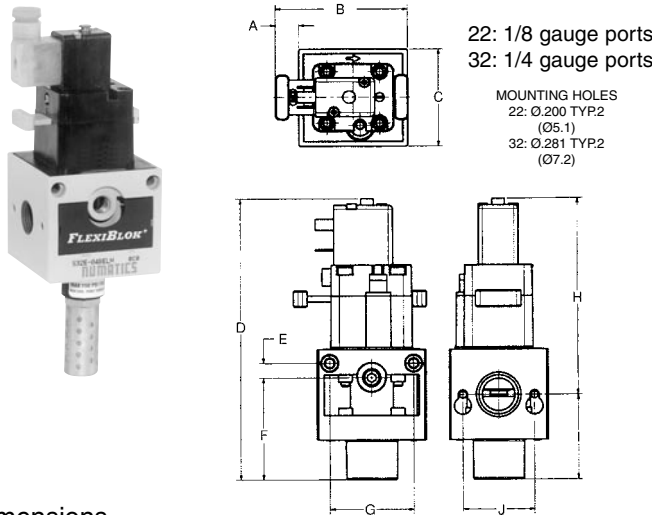
### 14 Series Solenoid Quick Exhaust



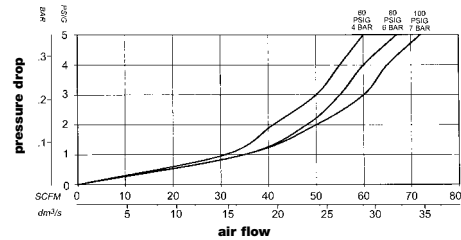
S14E-04B (14 Series Solenoid Quick Exhaust Valve)



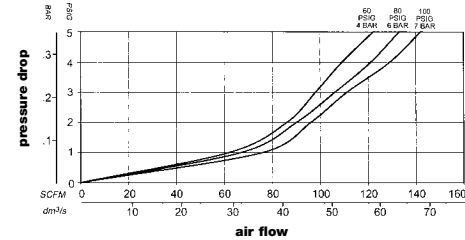
### 22 and 32 Series Solenoid Quick Exhaust



S22E-04B (22 Series Solenoid Quick Exhaust Valve)



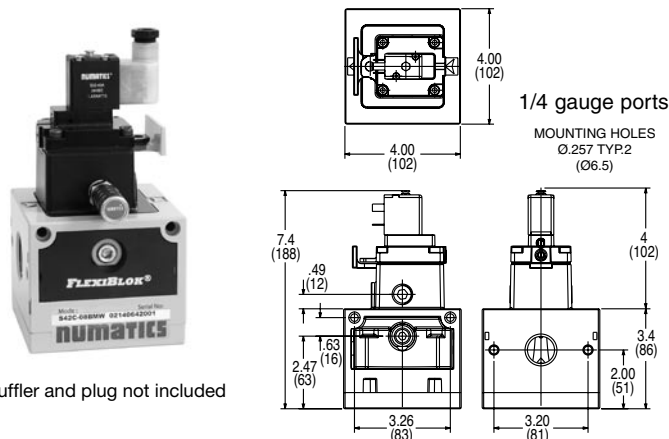
S32E-06B (32 Series Solenoid Quick Exhaust Valve)



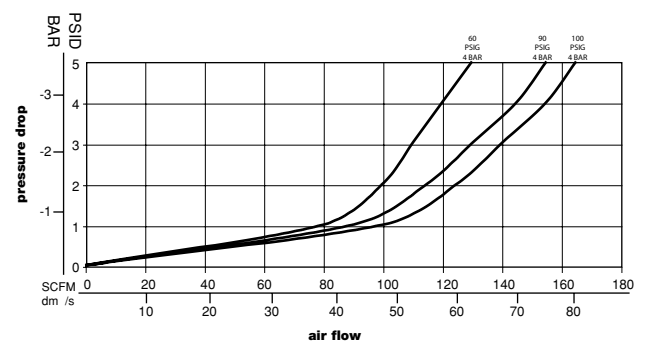
#### Dimensions

|           | A        | B        | C        | D         | E       | F        | G        | H         | I        | J        |
|-----------|----------|----------|----------|-----------|---------|----------|----------|-----------|----------|----------|
| 22 Series | .51 (13) | 2.9 (73) | 2.1 (65) | 6.3 (160) | .32 (8) | 2.2 (58) | 1.8 (46) | 4.4 (112) | 1.9 (48) | 1.5 (40) |
| 32 Series | .25 (6)  | 3.2 (82) | 3.0 (76) | 6.9 (168) | .5 (13) | 2.7 (68) | 2.4 (61) | 4.7 (121) | 2.1 (55) | 2.0 (51) |

### 42 Series Solenoid Quick Exhaust



S42E-08B (42 Series Solenoid Soft Start Quick Exhaust Valve)



\* Muffler and plug not included

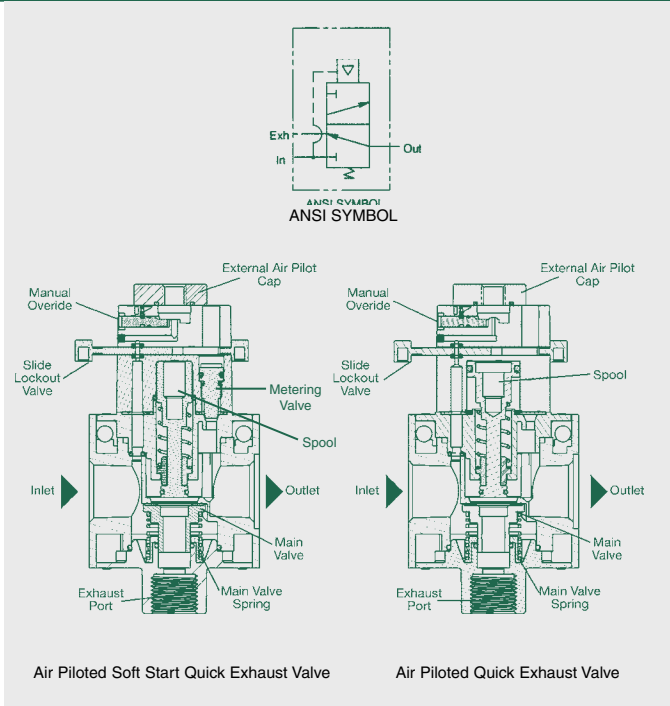


## FLEXIBLOK® FRL Series

### Internally/Externally Piloted Quick Exhaust Valve

S14, S22, S32, S42 Series

- Four convenient sizes
- Lockout feature (located in slide valve) prevents unauthorized pressurization of system (22, 32, and 42 Series)
- Standard manual override (or with no manual override option)
- High exhaust capacity for quick depletion of pressure
- High inlet to outlet flow capability
- Connects easily to **FLEXIBLOK®** Modular system



### Specifications

|                        | 14 SERIES   | 22 SERIES   | 32 SERIES   | 42 SERIES   |
|------------------------|-------------|-------------|-------------|-------------|
| Exhaust Ports (NPTF)   | 1/4         | 1/2         | 1/2         | 3/4         |
| Gauge Ports (NPTF)     | 10-32 UNF   | 1/8         | 1/4         | 1/4         |
| Temperature Range (°F) | 40-120      | 40-120      | 40-120      | 40-120      |
| Temperature Range (°C) | 4-50        | 4-50        | 4-50        | 4-50        |
| Min. Pressure (PSI)    | 40          | 40          | 40          | 20          |
| Min. Pressure (BAR)    | 2.76        | 2.76        | 2.76        | 1.38        |
| Max. Pressure (PSI)    | 150         | 150         | 150         | 150         |
| Max. Pressure (BAR)    | 10          | 10          | 10          | 10          |
| Weight, lbs. (kg.)     | 1.25 (0.57) | 1.15 (0.53) | 1.75 (0.79) | 3.45 (1.56) |
| Body Material          | Zinc        | Aluminum    | Aluminum    | Aluminum    |

|                                    |             |
|------------------------------------|-------------|
| Cv in-out/out-exh (14 Series, 1/8) | 1.15 / 1.10 |
| Cv in-out/out-exh (14 Series, 1/4) | 1.55 / 1.10 |
| Cv in-out/out-exh (22 Series, 1/4) | 2 / 1.2     |
| Cv in-out/out-exh (22 Series, 3/8) | 2.87 / 1.38 |
| Cv in-out/out-exh (22 Series, 1/2) | 3.62 / 1.32 |
| Cv in-out/out-exh (32 Series, 1/2) | 5.24 / 3.01 |
| Cv in-out/out-exh (32 Series, 3/4) | 6.47 / 3.14 |
| Cv in-out/out-exh (42 Series, 3/4) | 7.5 / 5.0   |
| Cv in-out/out-exh (42 Series, 1)   | 8.0 / 5.0   |

### How to Order

**S 22 E - 04 BGMW**

#### Model

S = Internally or Externally Piloted Quick Exhaust Valve

#### Series

14  
22  
32  
42

#### Style

C = Soft Start Quick Exhaust Valve (External Pilot) (14, 22, 32 Series Only)  
E = Quick Exhaust Valve (External Pilot)  
P = Internal Pilot Soft Start Quick Exhaust Valve

#### Threads

- = NPTF  
G = G Tap (BSPP)  
R = PT (BSPT)

#### Options

B = Revision Level  
G = Gauge  
M = Muffler  
W = External Air Pilot  
X = No Slide on Valve

#### Port Size

01 = 1/8 (14 Series Only)  
02 = 1/4 (14 or 22 Series)  
03 = 3/8 (22 Series Only)  
04 = 1/2 (22 or 32 Series)  
06 = 3/4 (32 and 42 Series Only)  
08 = 1 (42 Series Only)

### NEED MORE PARTS AND INFORMATION?

- See page 35 for information on ordering replacement parts.

Note: How to order examples for the three different models:

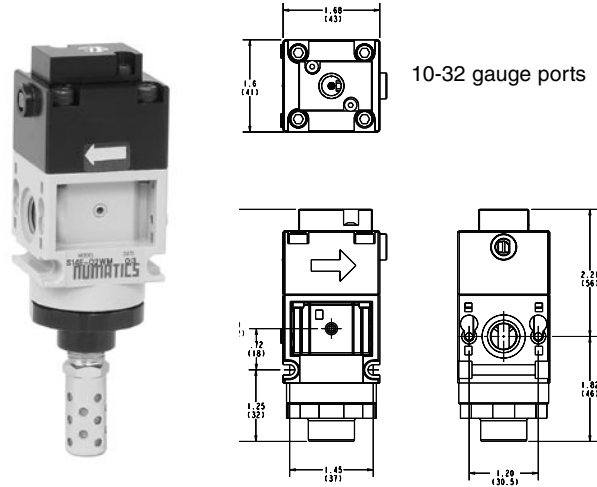
"C" Externally Piloted Soft Start Quick Exhaust Valve: S22C-04BW

"E" Externally Piloted Quick Exhaust Valve: S22E-04BW

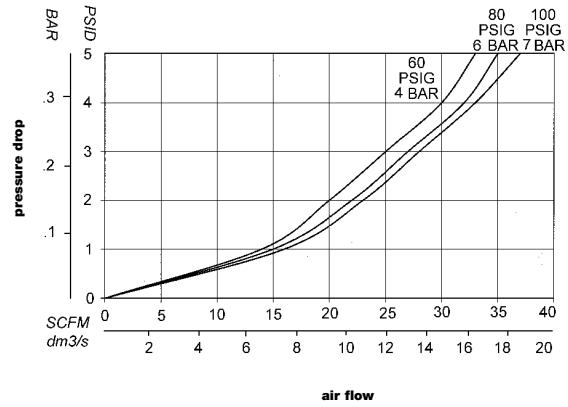
"P" Internally Piloted Soft Start Quick Exhaust Valve: S22P-04



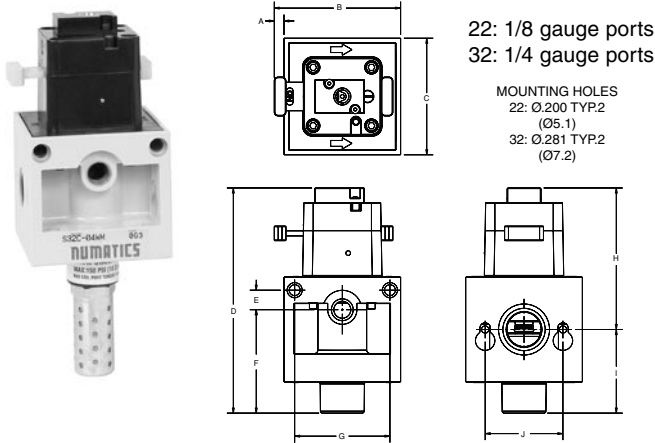
### 14 Series Internally/Externally Piloted Quick Exhaust Valve



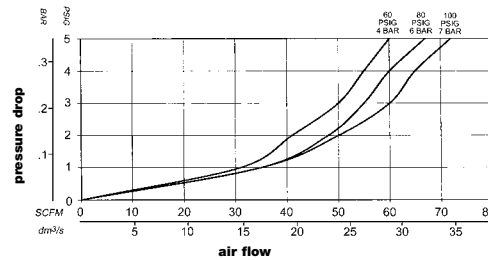
S14\*-04BW (14 Series Solenoid Quick Exhaust Valve)



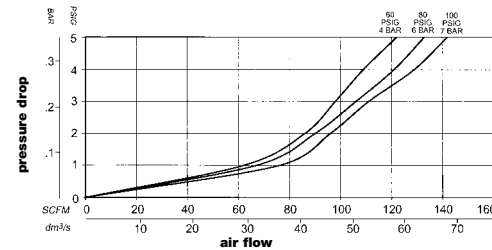
### 22 and 32 Series Internally/Externally Piloted Quick Exhaust Valve



S22\*-04BW (22 Series Solenoid Soft Start Quick Exhaust Valve)



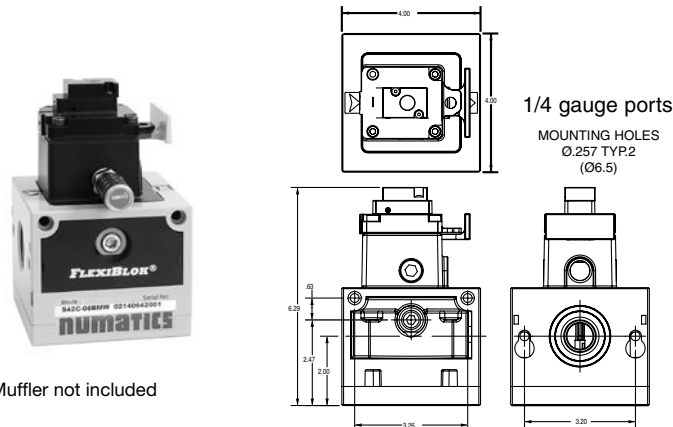
S32\*-06BW (32 Series Solenoid Soft Start Quick Exhaust Valve)



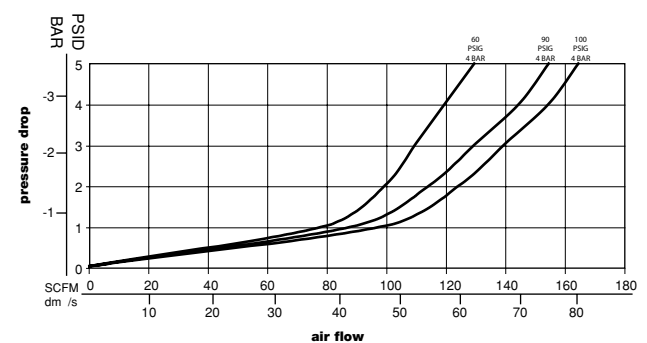
#### Dimensions

|           | A        | B        | C        | D         | E       | F        | G        | H        | I        | J        |
|-----------|----------|----------|----------|-----------|---------|----------|----------|----------|----------|----------|
| 22 Series | .51 (13) | 2.9 (73) | 2.1 (65) | 5.2 (132) | .32 (8) | 2.2 (58) | 1.8 (46) | 3.3 (84) | 1.9 (48) | 1.5 (38) |
| 32 Series | .25 (6)  | 3.2 (82) | 3.0 (76) | 5.8 (147) | .5 (13) | 2.7 (68) | 2.4 (61) | 3.6 (93) | 2.6 (55) | 2.0 (51) |

### 42 Series Internally/Externally Piloted Quick Exhaust Valve



S42\*-08BW (42 Series Solenoid Soft Start Quick Exhaust Valve)



\* Muffler not included



## FLEXIBLOK® FRL Series

# NUMATICS®

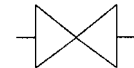
### Shut-Off Valve

VS14, VS22, VS32, VS42 Series

The **FLEXIBLOK®** Shut-Off Valve is an easy and inexpensive way to add shut off capability to an FRL. The valve includes a lockout feature designed for a padlock to prevent unauthorized downstream pressurization during maintenance. The shut off valve is usually mounted first in the assembly.

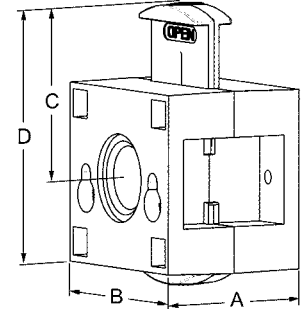
**Max. inlet pressure:** 200 PSI (13.7 bar)

- Relieves downstream pressure when closed
- Lockout feature prevents unauthorized pressurization of system
- Easy modular connection
- Can be used as individual component



ANSI SYMBOL

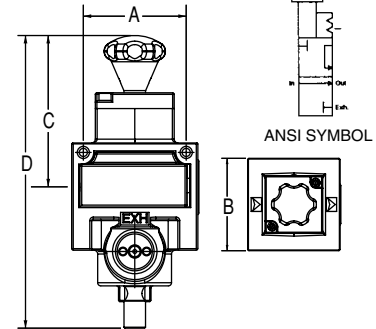
14, 22, 32 Series



|    | MODEL #S |         |         | DIMENSIONS |           |           |           | PORTS |
|----|----------|---------|---------|------------|-----------|-----------|-----------|-------|
|    | NPTF     | BSPB    | BSPT    | A          | B         | C         | D         |       |
| 14 | VS14-01  | VS14G01 | VS14R01 | 1.63 (41)  | 1.6 (41)  | 1.6 (41)  | 3 (76)    | 1/8   |
|    | VS14-02  | VS14G02 | VS14R02 | 1.63 (41)  | 1.6 (41)  | 1.6 (41)  | 3 (76)    | 1/4   |
| 22 | VS22-02  | VS22G02 | VS22R02 | 2.0 (50)   | 2.16 (55) | 1.86 (47) | 3.1 (79)  | 1/4   |
|    | VS22-03  | VS22G03 | VS22R03 | 2.0 (50)   | 2.16 (55) | 1.86 (47) | 3.1 (79)  | 3/8   |
|    | VS22-04  | VS22G04 | VS22R04 | 2.0 (50)   | 2.16 (55) | 1.86 (47) | 3.1 (79)  | 1/2   |
|    | VS22-06  | VS22G06 | VS22R06 | 2.25 (57)  | 3.0 (76)  | 2.57 (65) | 4.2 (107) | 3/4   |
| 32 | VS32-04  | VS32G04 | VS32R04 | 2.25 (57)  | 3.0 (76)  | 2.57 (65) | 4.2 (107) | 1/2   |
|    | VS32-06  | VS32G06 | VS32R06 | 2.25 (57)  | 3.0 (76)  | 2.57 (65) | 4.2 (107) | 3/4   |
| 42 | VS42-06  | VS42G06 | VS42R06 | 3.2 (83)   | 4.0 (102) | 4.8 (122) | 9.3 (236) | 3/4   |
|    | VS42-08  | VS42G08 | VS42R08 | 3.2 (83)   | 4.0 (102) | 4.8 (122) | 9.3 (236) | 1     |

**NOTE:** Add "N" to end of model number for non-relieving model (i.e. VS14-01N)  
(Not available on 42 series models)

42 Series

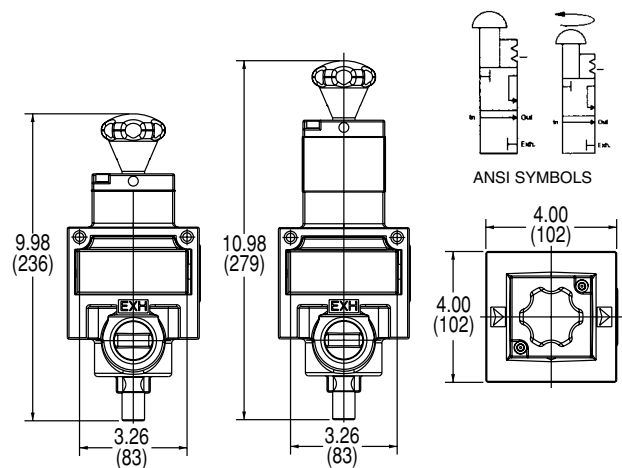


### Quick Exhaust Lockout Valve MVL42/MVT42 Series

- Rugged all metal design
- Placed last in an air preparation assembly. To be used as a system quick exhaust valve.

#### Specifications

Temperature Range: 40-120°F (4-50°C)  
Max. Pressure: 250 PSIG (17 bar)  
Weight: 4.95 lbs (2.25 kg)



### CV Ratings

| MODEL #   | CV<br>IN/OUT | CV<br>OUT/EXH |
|-----------|--------------|---------------|
| MVL42N06Y | 11.5         | 9             |
| MVL42N08Y | 12.5         | 10            |
| MVT42N06Y | 11.5         | 9             |
| MVT42N08Y | 12.5         | 10            |

### MVL 42 N 08Y

**Model**  
MVL = Standard  
MVT = Slo-Start™ Feature

**Series**  
42

#### Options

A = Metal Muffler (ie MVT42N08AY)  
B = Scissor Lockout (ie MVT42N08BY)

**Port Size**  
06 = 3/4  
08 = 1

#### Threads

N = NPTF  
G = G Tap (BSPB)  
R = PT (BSPT)

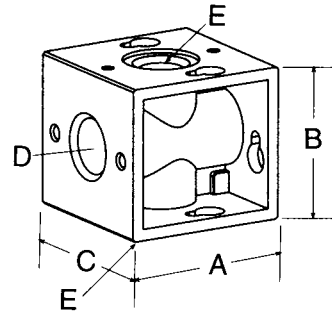




### Diverter Block

DK14, DK22, DK32, DK42 Series

Designed to give **FLEXIBLOK®** components total versatility, the diverter block mounts directly inline with the FRL combination. Additional components can then be manifold mounted in a compact manner that doesn't cause excessive pressure drop. There are two available ports per unit; both are tapped for standard service.



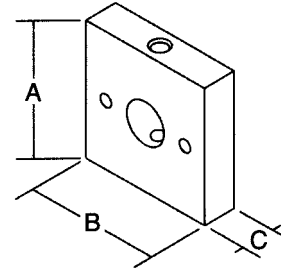
**Max. inlet pressure:** 200 PSI (13.7 bar) (14, 22, 32 Series)  
250 PSI (17 bar) (42 Series)

| SERIES | MODEL # |         |         | DIMENSIONS |           |            |     |     | PORTS  |
|--------|---------|---------|---------|------------|-----------|------------|-----|-----|--|
|        | NPTF    | BSPP    | BSPT    | A          | B         | C          | D   | E   |  |
| 14     | DK14-02 | DK14G02 | DK14R02 | 1.72 (44)  | 1.54 (39) | 1.6 (41)   | 1/4 | 1/8 | Tapped 1/4 NPTF In & Out with two 1/8 NPTF branches  |
| 22     | DK22-03 | DK22G03 | DK22R03 | 2.16 (55)  | 2.00 (50) | 2.16 (55)  | 1/2 | 3/8 | Tapped 1/2 NPTF in & out with two 3/8 NPTF branches  |
| 32     | DK32-04 | DK32G04 | DK32R04 | 3.00 (76)  | 2.70 (69) | 3.00 (76)  | 3/4 | 1/2 | Tapped 3/4 NPTF in & out with two 1/2 NPTF branches  |
| 42     | DK42-06 | DK42G06 | DK42R06 | 4.00 (102) | 3.40 (87) | 4.00 (102) | 3/4 | 3/4 | In & Out and branches 3/4 with two 3/4 NPTF branches |
| 42     | DK42-08 | DK42G08 | DK42R08 | 4.00 (102) | 3.40 (87) | 4.00 (102) | 1   | 1   | In & Out and branches 1 with two 1 NPTF branches     |

### Diverter Plates

HK14, HK22, HK32 Series

Diverter plates are designed to provide air signals in a compact space. Used individually or in combination, they can be used with gauges or switches to determine a pressure or  $\Delta$  pressure signal.

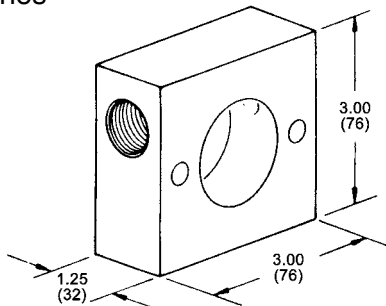


**Max. inlet pressure:** 200 PSI (13.7 bar)

| SERIES | NPTF    | MODEL # |         | DIMENSIONS |           |          | OUTLET PORT | APPLICATION              |
|--------|---------|---------|---------|------------|-----------|----------|-------------|--------------------------|
|        |         | BSPP    | BSPT    | A          | B         | C        |             |                          |
| 14     | HK14-01 | HK14G01 | HK14R01 | 1.54 (39)  | 1.50 (38) | .75 (19) | 1/8         | Mounts between two units |
| 22     | HK22-01 | HK22G01 | HK22R01 | 2.00 (51)  | 2.15 (55) | .75 (19) | 1/8         | Mounts between two units |
| 32     | HK32-01 | HK32G01 | HK32R01 | 3.00 (76)  | 3.00 (76) | .75 (19) | 1/8         | Mounts between two units |

### Rear-Ported End Plates

MR32 Series



Available only in the 32 Series, the Rear-Ported End Plate allows an FRL to be mounted flush with a surface and the piping to exit the rear of the combination.

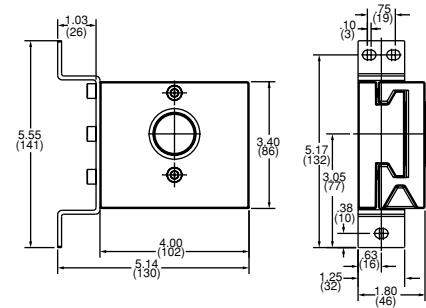
**Max. inlet pressure:** 200 PSI (13.7 bar)

### How to Order

| MODEL NUMBER | STYLE | NPTF | DESCRIPTION             |
|--------------|-------|------|-------------------------|
| MR32A        | A     | 1/2  | Left rear porting       |
| MR32B        | B     | 1/2  | Right side rear porting |
| MR32AB       | A/B   | 1/2  | Both rear ported plates |

### End Plates

MK42 Series



The 42 series easy slide end plate and mounting bracket kit is a unique option allowing a full assembly to be quickly added or removed, giving the customer even greater versatility in its popular compact space.

**Max. inlet pressure:** 250 PSI (17 bar)

### How to Order

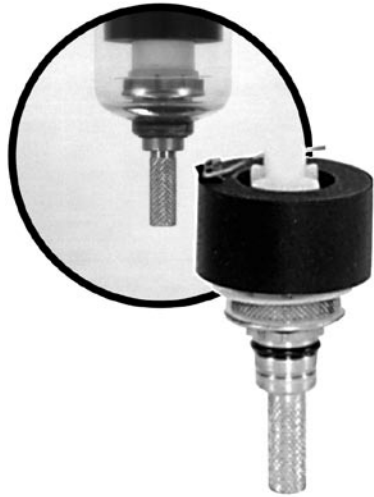
| PORT SIZE | MODEL # NPTF | BSPP      | BSPT      |
|-----------|--------------|-----------|-----------|
| 3/4       | MK42AB-06    | MK42ABG06 | MK42ABR06 |
| 1         | MK42AB-08    | MK42ABG08 | MK42ABR08 |



## FLEXIBLOK® FRL Series

### Drain Options

#### Automatic Float Drain - 'A' Option



The Auto Float Drain is installed into the bottom of the filter bowl. As the liquid level inside the bowl increases, the tire-like float lifts, allowing the liquid to drain. This drain should not be used in applications exceeding 175 PSI.

##### MODEL FOR SERIES

AKF00 22, 32, 42 Series  
Autodrain only

AKF02 22, 32, 42 Series  
(inc. drain, bushing, o-ring)

#### Flexible Drain - 'B' Option



The Flexible Drain is as easy to use as pushing the stem to one side and allowing contents to expel. A popular option due to low cost and ease of use. This drain should not be used in applications exceeding 125 PSI.

##### MODEL FOR SERIES

BKF02 14, 22, 32, 42 Series  
(inc. flexible rubber exterior and inner stem)

#### External Pulse Drain - 'J' Option



The External Pulse Drain is designed for use in the 12 Series bowl but also works with the 22 and 32 Series. This inexpensive and reliable drain features an incorporated barbed fitting which fits 3/16 ID tubing for easy drainage of liquid and contaminant.

##### MODEL FOR SERIES

JKF02 14, 22, 32, 42 Series  
(includes bushing kit)

IDF-01 drain only

#### Metal Manual Drain - 'Q' Option



The Metal Manual Drain is a newer drain option for the **FLEXIBLOK®** line. Simply turn the drain counter-clockwise to expel bowl contents. Standard on 50, 70, and 600 Series.

##### MODEL FOR SERIES

QKF02 14, 22, 32, 42 Series  
(inc. drain, retaining clip, bushing, o-ring)

#### Manual Lever Drain - 'R' Option



The Manual Lever Drain allows for convenience and ease of use. Press down on the white lever to manually drain bowl contents. Available for all **FLEXIBLOK®** filters.

##### MODEL FOR SERIES

RKF02 14, 22, 32, 42 Series  
Filters (inc. drain, bushing, clip, o-ring)



### FLEXIBLOK® Coalescing Filter

#### > Element Replacement Kits Filter/Regulators

includes filter element only

| kit #            | description                                  |
|------------------|--|
| <b>14 SERIES</b> |  |
| EKF12C           | 14 Series, 0.7 micron element                |
| EKF12CD          | 14 Series, 0.7 micron element with prefilter |
| EKF12D           | 14 Series, 0.3 micron element                |
| EKF12DD          | 14 Series, 0.3 micron element with prefilter |
| EKF12E           | 14 Series, 0.1 micron element                |
| EKF12ED          | 14 Series, 0.1 micron element with prefilter |
| EKF12F           | 14 Series, adsorbing element                 |

#### **22 SERIES**

|         |  |
|---------|--|
| EKF22C  | 22 Series, 0.7 micron element                |
| EKF22CD | 22 Series, 0.7 micron element with prefilter |
| EKF22D  | 22 Series, 0.3 micron element                |
| EKF22DD | 22 Series, 0.3 micron element with prefilter |
| EKF22E  | 22 Series, 0.1 micron element                |
| EKF22ED | 22 Series, 0.1 micron element with prefilter |
| EKF22F  | 22 Series, adsorbing element                 |

#### **32 SERIES**

|         |  |
|---------|--|
| EKF32C  | 32 Series, 0.7 micron element                |
| EKF32CD | 32 Series, 0.7 micron element with prefilter |
| EKF32D  | 32 Series, 0.3 micron element                |
| EKF32DD | 32 Series, 0.3 micron element with prefilter |
| EKF32E  | 32 Series, 0.1 micron element                |
| EKF32ED | 32 Series, 0.1 micron element with prefilter |
| EKF32F  | 32 Series, adsorbing element                 |

#### **42 SERIES**

|         |   |
|---------|---|
| EKF42C  | 42 Series, .7 micron element                |
| EKF42CD | 42 Series, .7 micron element with prefilter |
| EKF42D  | 42 Series, .3 micron element                |
| EKF42DD | 42 Series, .3 micron element with prefilter |
| EKF42E  | 42 Series, .1 micron element                |
| EKF42ED | 42 Series, .1 micron element with prefilter |
| EKF42F  | 42 Series, adsorbing element                |

#### > Bowl Replacement Kits Filter/Regulators

includes bowl and o-ring

| kit #            | description                   |
|------------------|-------------------------------|
| <b>14 SERIES</b> |                               |
| BKF12            | 14 Series, polycarbonate bowl |
| BKF12M           | 14 Series, metal bowl         |
| <b>22 SERIES</b> |                               |
| BKF22            | 22 Series, polycarbonate bowl |
| BKF22C           | 22 Series, CircleVision™ bowl |
| BKF22M           | 22 Series, metal bowl         |
| <b>32 SERIES</b> |                               |
| BKF32            | 32 Series, polycarbonate bowl |
| BKF32C           | 32 Series, CircleVision™ bowl |
| BKF32M           | 32 Series, metal bowl         |

#### **42 SERIES**

|        |                               |
|--------|-------------------------------|
| BKF32  | 32 Series, polycarbonate bowl |
| BKF32C | 32 Series, CircleVision™ bowl |
| BKF32M | 32 Series, metal bowl         |

To order the bowl replacement kit with a drain, specify the drain suffix in the kit number (keeping suffixes in alphabetical order). For example, to order an external pulse drain with a BKF12M kit, order as **BKF12EM**. To order an external pulse drain with a BKF12M kit, order as **BKF12JM**. Drain suffixes are as follows: B=flexible drain, J=external pulse drain, Q=metal manual drain, R>manual lever drain. See page 34 for additional drain option information.

#### > Bowl Replacement Kits Lubricated

includes bowl and o-ring

| kit #  | description                   |
|--------|-------------------------------|
| BKL12  | 14 Series, polycarbonate bowl |
| BKL12M | 14 Series, metal bowl         |
| BKL22  | 22 Series, polycarbonate bowl |
| BKL22C | 22 Series, CircleVision™ bowl |
| BKL22M | 22 Series, metal bowl         |
| BKL32  | 32 Series, polycarbonate bowl |
| BKL32C | 32 Series, CircleVision™ bowl |
| BKL32M | 32 Series, metal bowl         |

To order the bowl replacement kit with a drain or buttonhead fill, specify the appropriate suffix in the kit number (keeping suffixes in alphabetical order). For example, to order a drain with a BKL12 kit, order as **BKF12K**. To order a buttonhead fill with a BKL22M kit, order as **BKL22FM**. Drain suffixes are as follows: F=buttonhead fill, K=drain.

#### > Replacement Drain Kits

| kit # | description  |
|-------|--|
| AKF02 | auto float drain kit (inc. drain, bushing, clip, o-ring) |
| BKF02 | flexible drain (includes drain ass'y)                    |
| DKF02 | standard drain (inc. drain ass'y)                        |
| QKF02 | metal manual drain (inc. drain, bushing, clip, o-ring)   |
| JKF02 | external pulse drain (inc. drain, bushing, clip, o-ring) |
| RKF02 | manual lever drain (inc. drain, bushing, clip, o-ring)   |

### FLEXIBLOK® Particulate Filter

#### > Element Replacement Kits Filter/Regulators

includes filter element only

| kit #  | description                 |
|--------|-----------------------------|
| EKF12B | 14 Series, 5 micron element |
| EKF22B | 22 Series, 5 micron element |
| EKF32B | 32 Series, 5 micron element |
| EKF42B | 42 Series, 5 micron element |

#### > Filter Repair Kits

includes Turbo-Flo, element retainer, quiet zone baffle, deflector retainer

| kit #  | description                 |
|--------|-----------------------------|
| RKF12B | 14 Series, 5 micron element |
| RKF22B | 22 Series, 5 micron element |
| RKF32B | 32 Series, 5 micron element |
| RKF42B | 42 Series, 5 micron element |

### FLEXIBLOK® Coalescing Filter

#### > DPI Replacement Kits

includes DPI assembly

| kit #    | description                    |
|----------|--------------------------------|
| PAR14-23 | 14 Series DPI replacement kit  |
| PAR22-23 | 22 Series DPI replacement kit  |
| PAR32-23 | 32 Series DPI replacement kit  |
| DPI42    | 42 Series, DPI replacement kit |

### FLEXIBLOK® Regulator

#### > Regulator Repair Kits Filter/Regulators

includes bonnet and adjustment knob

| kit # | description         |
|-------|---------------------|
| RKC14 | 14 Series, cage kit |
| RKC22 | 22 Series, cage kit |
| RKC32 | 32 Series, cage kit |
| RKC42 | 42 Series, cage kit |

#### > Diaphragm Repair Kits

includes diaphragm and inner valve

| kit #  | description              |
|--------|--------------------------|
| RKR12R | 14 Series, relieving kit |

|        |                              |
|--------|------------------------------|
| RKR22R | 22 Series, relieving kit     |
| RKR32R | 32 Series, relieving kit     |
| RKR12N | 14 Series, non-relieving kit |
| RKR22N | 22 Series, non-relieving kit |
| RKR32N | 32 Series, non-relieving kit |

#### > Piston Repair Kits

includes piston, U-cup seal, relief seal

| kit #  | description                  |
|--------|------------------------------|
| PKR14R | 14 Series, relieving kit     |
| PKR22R | 22 Series, relieving kit     |
| PKR32R | 32 Series, relieving kit     |
| PKR14N | 14 Series, non-relieving kit |
| PKR22N | 22 Series, non-relieving kit |
| PKR32N | 32 Series, non-relieving kit |
| PKR42R | 42 Series, relieving kit     |
| PKR42N | 42 Series, non-relieving kit |

#### > Replacement Adjustment Knob Kits

includes adjustment knob only

| kit #  | description                |
|--------|----------------------------|
| R12-03 | 14 Series, adjustment knob |
| R22-03 | 22 Series, adjustment knob |
| R32-03 | 32 Series, adjustment knob |
| R32-03 | 42 Series, adjustment knob |

### FLEXIBLOK® Pilot Operated Regulator

#### > Diaphragm Repair Kits

includes relieving diaphragm, non-relieving diaphragm, inner valve

| kit # | description                                    |
|-------|--|
| RKW22 | 22 Series, pilot operated regulator repair kit |
| RKW32 | 32 Series, pilot operated regulator repair kit |

### FLEXIBLOK® Lubricator

#### > Lubricator Dome Repair Kits

includes adjustment knob and adjustment assembly

| kit #  | description  |
|--------|--|
| RKL12T | 14 Series, lub. dome repair kit or 22 Series, lub. dome repair kit or 32 Series, lub. dome repair kit or 42 Series, lub. dome repair kit |

#### > Replacement Adjustment Knob Kits

includes adjustment knob only

| kit #  | description  |
|--------|--|
| L32-06 | 14 Series, adjustment knob or 22 Series, adjustment knob or 32 Series, adjustment knob |

### FLEXIBLOK® Shut-Off Valve

#### > Shut-Off Valve Repair Kits

includes slide and 2 o-rings

| kit #  | description                          |
|--------|--------------------------------------|
| RKSV14 | 14 Series, shut-off valve repair kit |
| RKSV22 | 22 Series, shut-off valve repair kit |
| RKSV32 | 32 Series, shut-off valve repair kit |

#### > Mounting Brackets

includes bracket and panel nut

| kit # | description                |
|-------|----------------------------|
| PK12  | 14 Series mounting bracket |
| PK22  | 22Series mounting bracket  |
| PK32  | 32 Series mounting bracket |



### FLEXIBLOK® Sol. Soft Start Quick Exhaust

#### ► Solenoid Replacement Kits

includes coil only (fits 22 or 32 Series)

**NOTE:** Numatics FRL does not recommend the disassembly of a solenoid soft start unit outside of our factory.

| kit #  | description              |
|--------|--------------------------|
| S32-44 | 110V (22 or 32 Series)   |
| S32-45 | 230V (22 or 32 Series)   |
| S32-46 | 24V AC (22 or 32 Series) |
| S32-43 | 24V DC (22 or 32 Series) |

### FLEXIBLOK® Screws & O-Rings

#### ► Screw & O-Ring Replacement Kits

| kit # | description   |
|-------|---|
| KG14  | 14 Series, inc. 2 screws, 1 o-ring (M4 x 12mm)                |
| KGB14 | 14 Series bulk pack, inc. 100 screws, 50 o-rings (M4 x 12mm)  |
| KG22  | 22 Series, inc. 2 screws, 1 o-ring (M5 x 12mm)                |
| KGB22 | 22 Series bulk pack, inc. 100 screws, 50 o-rings (M5 x 12mm)  |
| KG32  | 32 Series, inc. 2 screws, 1 o-ring (M6 x 16mm)                |
| KGB32 | 32 Series bulk pack, inc. 100 screws, 50 o-rings (M6 x 16mm)► |
| KG42  | 42 Series, inc. 2 screws, 1 o-ring (M8 x 1.25)                |
| KGB42 | 42 Series bulk pack, inc. 100 screws, 50 o-rings (M8 x 1.25)  |

# NUMATICS®

World Class Supplier  
of Pneumatic Components



## World Headquarters

### Numatics Incorporated

Phone: 248-887-4111  
Fax: 248-887-9190

## UNITED STATES

### Numatics – Air Preparation

Phone: 810-667-3900  
Fax: 810-667-3902

### Numatics – Valves

Phone: 248-887-4111  
Fax: 248-887-9190

### Numatics – Miniature Valves

Phone: 248-960-1400  
Fax: 248-960-2160

### Numatics – Cylinders

Phone: 615-771-1200  
Fax: 615-771-1201

### Numatics – Rodless Cylinders

Phone: 519-452-1777  
Fax: 519-452-3995

### Numatics – Automation

Phone: 440-934-3200  
Fax: 440-934-2288

## CANADA

### Ontario

Numatics, Ltd.  
Phone: 519-452-1777  
Fax: 519-452-3995

### Quebec

Numatics, Ltd.  
Phone: 514-332-6444  
Fax: 514-332-9273

### British Columbia

Numatics, Ltd.  
Phone: 604-574-0401  
Fax: 604-574-3713

## EUROPE

### Germany – European Headquarters

Numatics GmbH  
Phone: 011-49-22 41-31 60-0  
Fax: 011-49-22 41-31 60 40

### Hungary

Numatics Kft.  
Phone: 011-36-13 82 21 35  
Fax: 011-36-12 04 39 47

## EUROPE

### England

Numatics Limited  
Phone: 011-44-1525-37 07 35  
Fax: 011-44-1525-38 25 67

### France

Numatics s.a.r.l.  
Phone: 011-33-1 41 21 48 88  
Fax: 011-33-1 41 21 48 89

### Italy

Numatics srl  
Phone: 011-39-030-373 19 99  
Fax: 011-39-030-373 19 81

### Netherlands

Numatics B.V.  
Phone: 011-31-418-65 29 50  
Fax: 011-31-418-65 29 43

### Spain

Numatics Spain S.L.  
Phone: 011-34-93-221 21 96  
Fax: 011-34-93-221 35 14

## AFRICA

### South Africa

Numatics SA (Pty) Ltd.  
Phone: 011-27-11-8 65 44 52  
Fax: 011-27-11-8 65 42 90

## LATIN & SOUTH AMERICA

### Mexico

Numatics de Mexico S.A. de C.V.  
Phone: 011-52-222-284 6176  
Fax: 011-52-222-284 6179

### Brazil

Valvair Comercial Ltda.  
Phone: 011-55-12-351 2874  
Fax: 011-55-12-351 1958

## ASIA & PACIFIC

### Australia

Numatics Australia Pty. Ltd.  
Phone: 011-61-3-95 63 86 00  
Fax: 011-61-3-95 63 85 11

### Taiwan – Asian Headquarters

Numatics Co, Ltd. Asia  
Phone: 011-886-2-29 15 16 05  
Fax: 011-886-2-29 14 18 97

For a comprehensive listing of all Numatics production and distribution facilities worldwide, visit [www.numatics.com](http://www.numatics.com)